



# EA LIFT

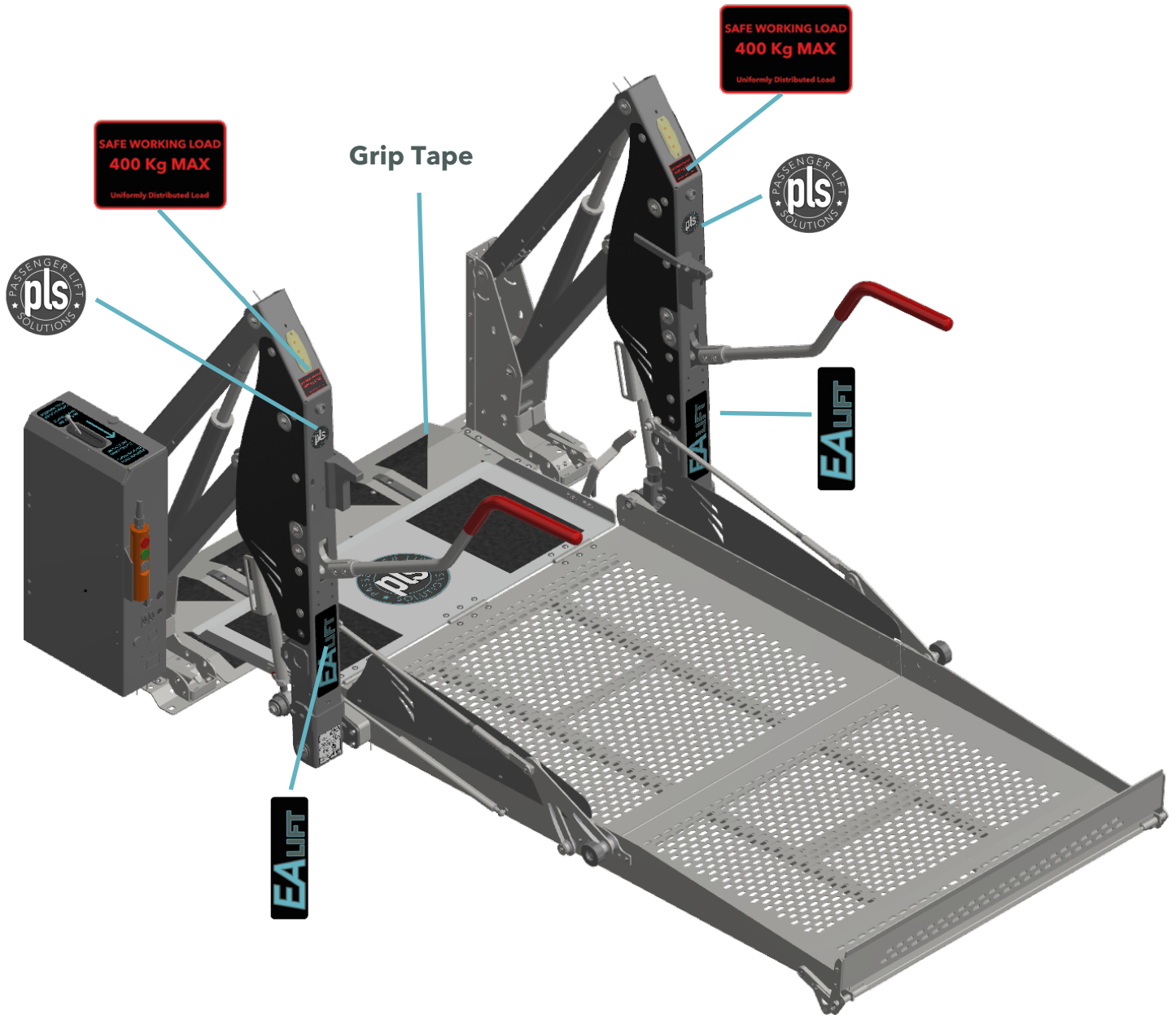
Manual for safe installation and  
operation

**PASSENGER LIFT SOLUTIONS**

Unit 2, Summit Crescent Ind. Est. West Midlands, B66 1BT, GB. +44 (0) 121 552 0660



# Decals

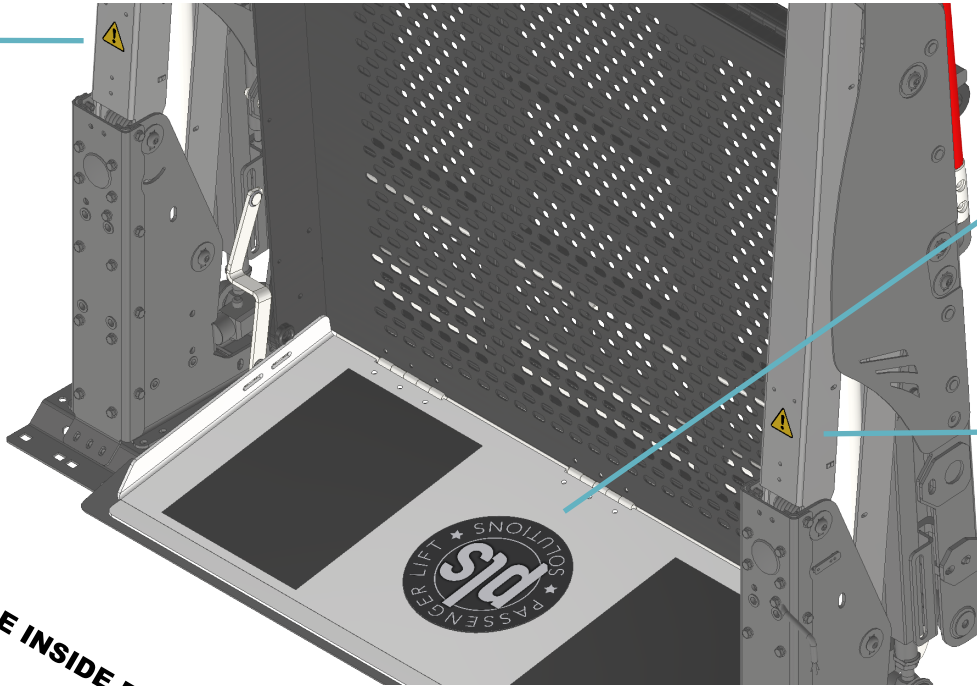


PASSENGER LIFT SOLUTIONS

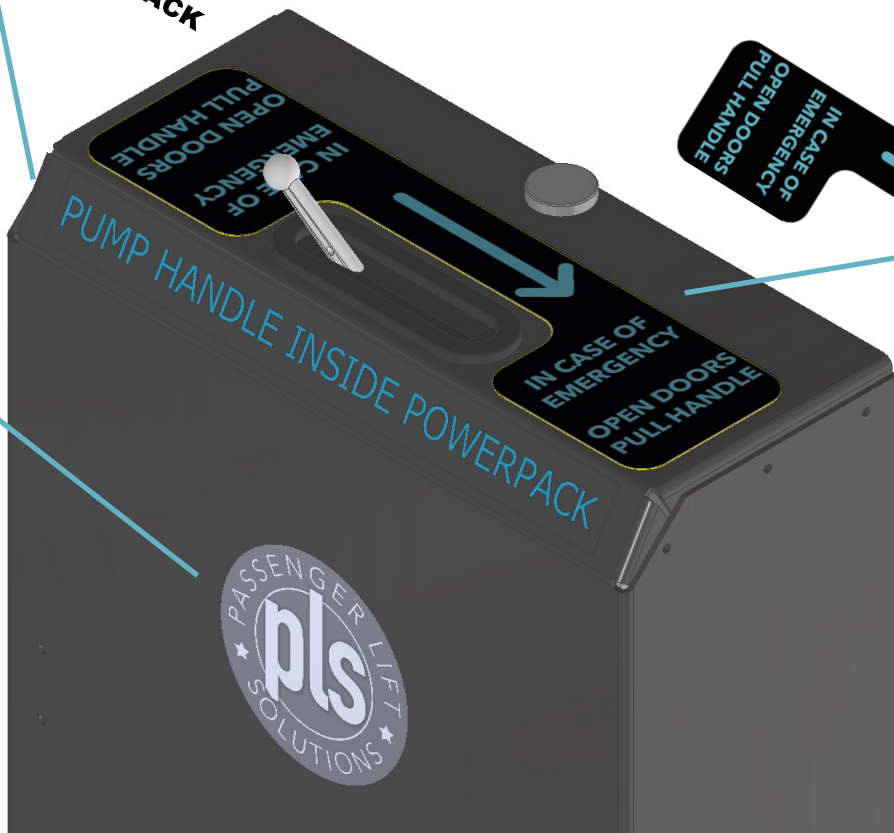
Unit 2, Summit Crescent Ind. Est. West Midlands, B66 1BT, GB. +44 (0) 121 552 0660



# Decals

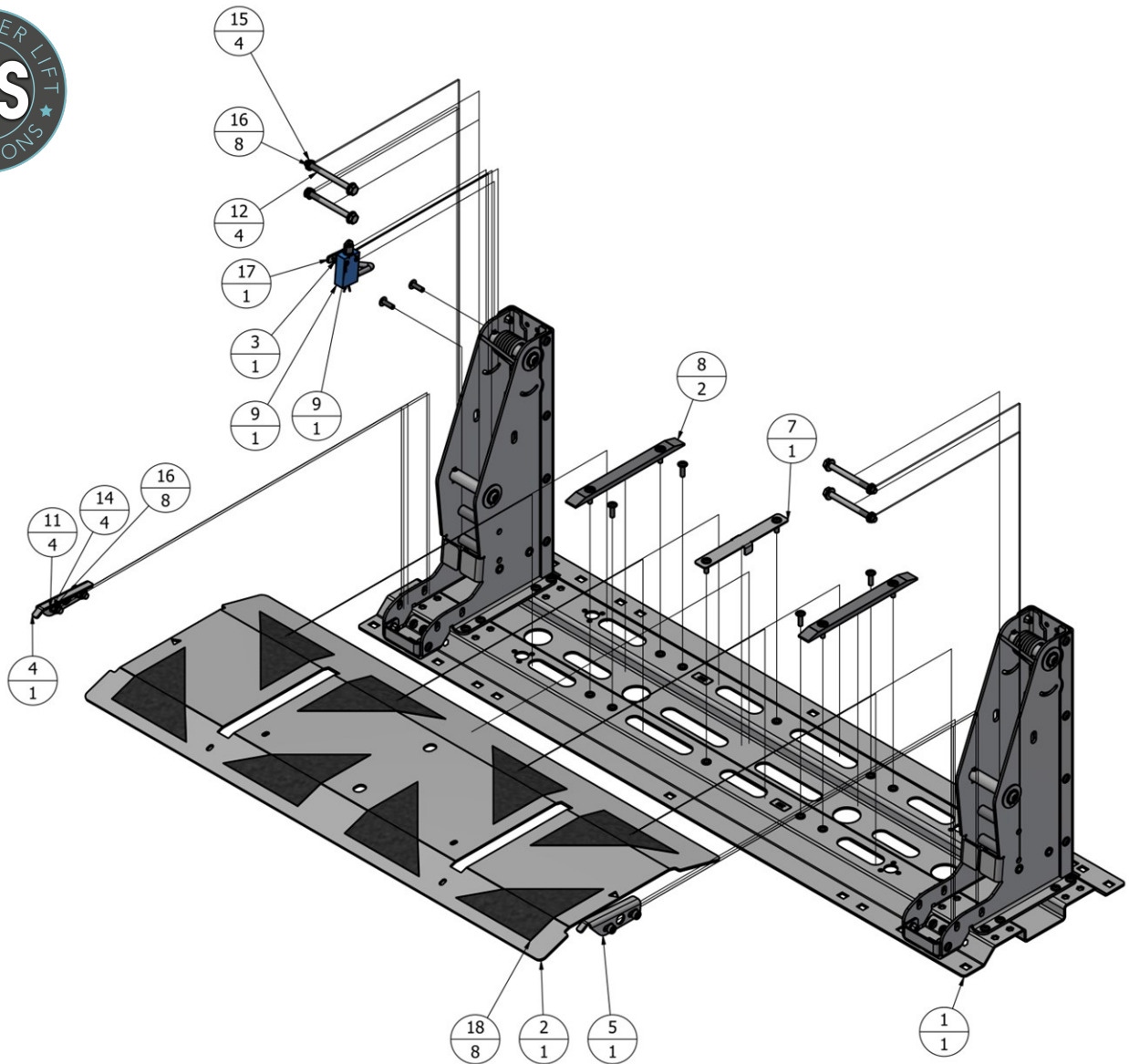


**PUMP HANDLE INSIDE POWERPACK**



**PASSENGER LIFT SOLUTIONS**

Unit 2, Summit Crescent Ind. Est. West Midlands, B66 1BT, GB. +44 (0) 121 552 0660



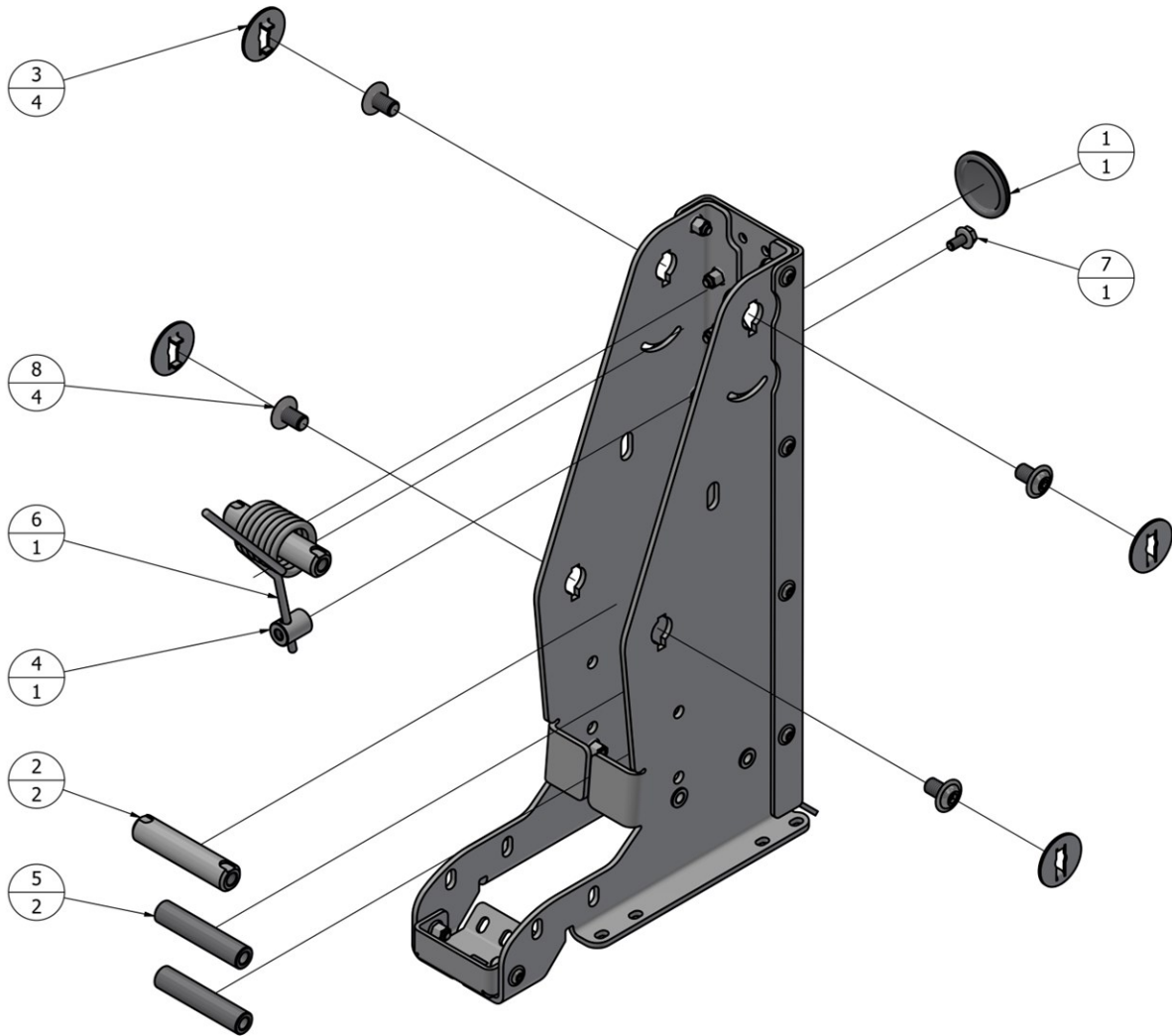
Reference	Quantity	Part Number	Description	Reference	Quantity	Part Number	Description
1	2	Various	EA Base Tower ASY	10	4	FASBL/0401	M4 x 25 SKT CAP HEAD BZP
2	1	Various	EA Base Cover Plate	11	4	FASBL/9904	M8 x 20 Torx Button Head Screw
3	1	EAFABBAS286-0113	EA Switch Spacer	12	12	FASBL/9906	M8 x 90 CL100 HT HEX S/L Z/P
4	1	EAFABBAS286-0154-LH	EA Stow Ramp Plate LH	13	4	FASBL/9911	M6 x 20 Torx Flange Dome Screw
5	1	EAFABBAS286-0154-RH	EA Stow Ramp Plate RH	14	4	FASNT/0801	M8 Nyloc Nut
6	1	EAFABBAS286-0158	EA Tower Spring Retainer	15	8	FASNT/0802	M8 Half Nut
7	1	EAFABBAS286-0159	EA Hose Clamp	16	1	FASWA/0803	M8 Internal Star Washer
8	2	EAPLABAS286-0161	EA Base Slide	17	8	GNXAFABBOX60039	GNXA Box Lock Tapping Plate
9	2	ELERS/551340	Plunger Roller Switch	18	1	HASCL/0005	EA Antislip Base 150 x 150mm

Reference	Part Number	Description
1	ASYEABAS286-2111-H745	EA Base Assembly 745
1	ASYEABAS286-2111-H805	EA Base Assembly 805/815
1	ASYEABAS286-2111-H865	EA Base Assembly 865/875
1	ASYEABAS286-2111-H905	EA Base Assembly 905/915

Reference	Part Number	Description
2	EAALYBAS286-0160-745	EA Base Plate Cover 745
2	EAALYBAS286-0160-805	EA Base Plate Cover 805/815
2	EAALYBAS286-0160-865	EA Base Plate Cover 865/875
2	EAALYBAS286-0160-905	EA Base Plate Cover 905/915

## PASSENGER LIFT SOLUTIONS

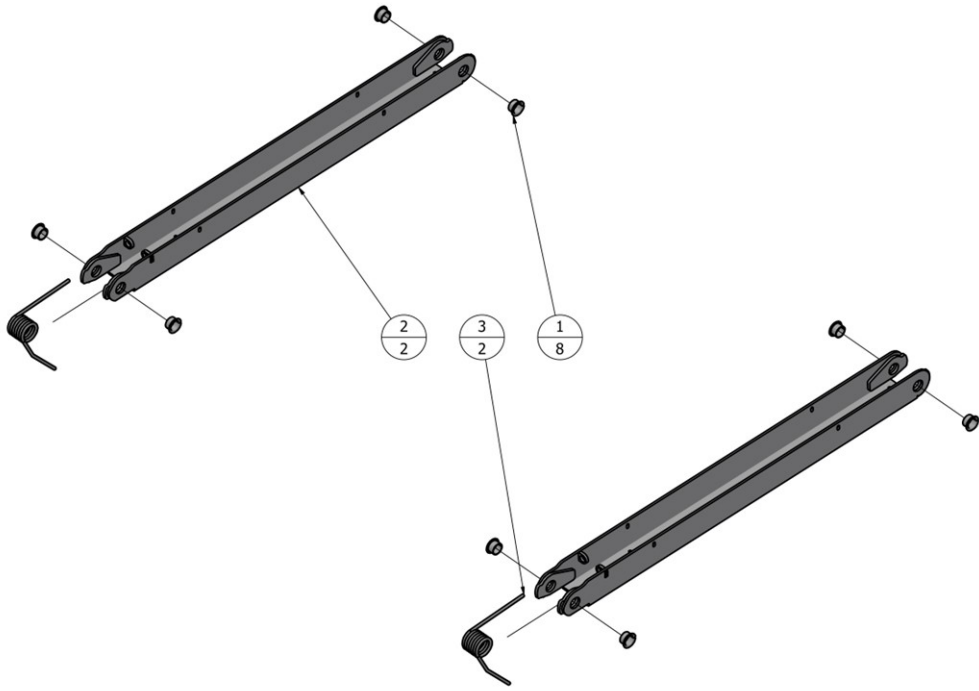
Unit 2, Summit Crescent Ind. Est. West Midlands, B66 1BT, GB. +44 (0) 121 552 0660



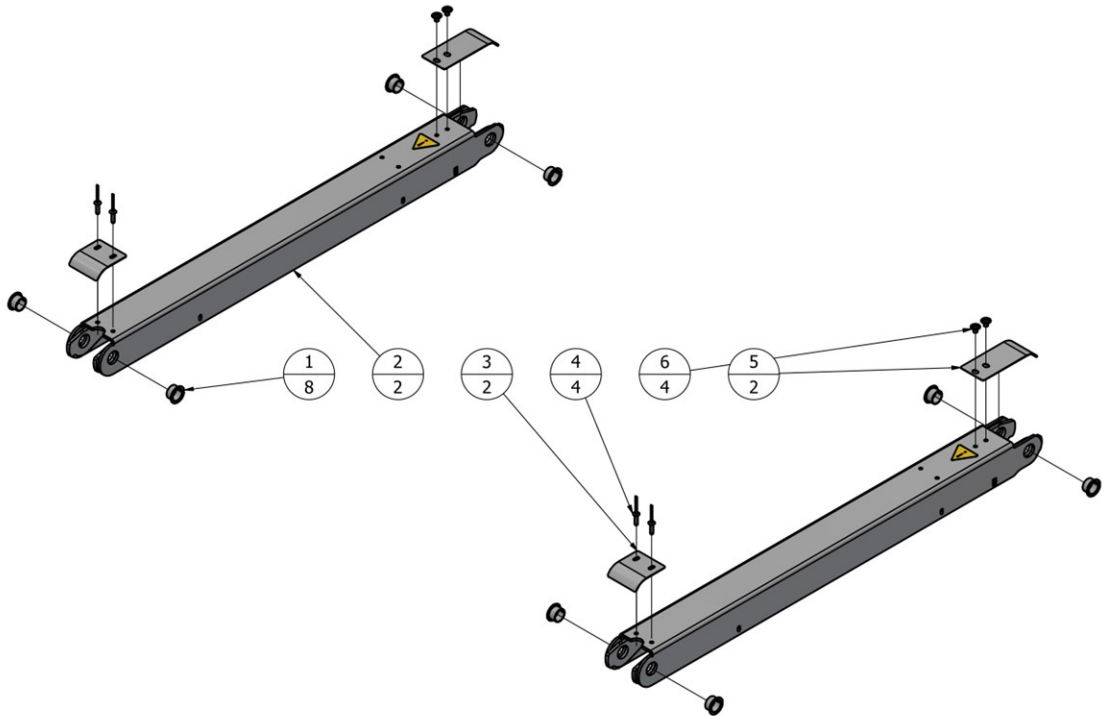
Reference	Quantity	Part Number	Description
1	1	CONGR/0003	Black Grommet 40mm x 3mm
2	2	EAFABARM286-0301	EA Arm Pin
3	4	EAFABARM286-0302	EA Anti Rotation Washer
4	1	EAFABBAS286-0158	EA Tower Spring Retainer
5	2	EAPLABAS286-0162	EA Base Tube
6	1	EASPRARMEA244	EA Arm Tension Spring
7	1	FASBL/0608	M6 X 12 CL100 HT HEX S/L Z/P
8	4	FASBL/9908	M10 x 16 Torx Flange Dome Screw
9	20	FASBL/9911	M6 x 20 Torx Flange Dome Screw

## PASSENGER LIFT SOLUTIONS

Unit 2, Summit Crescent Ind. Est. West Midlands, B66 1BT, GB. +44 (0) 121 552 0660



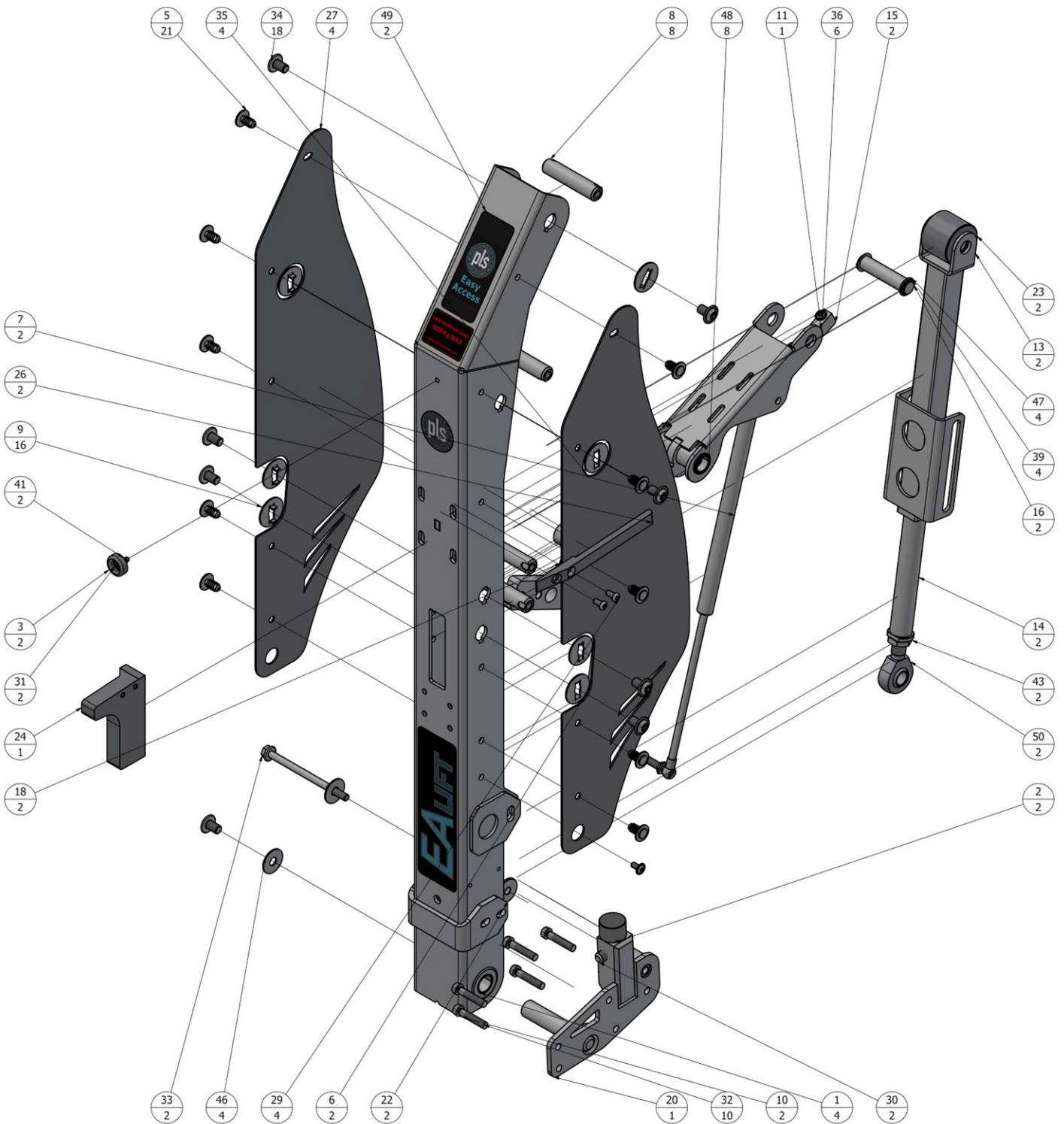
Reference	Quantity	Part Number	Description
1	8	ACC26991	Flange Glacier Bush 18x20x12
2	2	EAFABARM286-0313	EA Arm
3	2	EASPRARMEA245	EA Support Arm Tension Spring



Reference	Quantity	Part Number	Description
1	8	ACC26991	Flange Glacier Bush 18x20x12
2	2	EAFABARM286-0313	EA Arm
3	2	EAFABARM286-0314	EA Arm Cover
4	4	FASRV/9901	4.8 x 16 Dome Head Rivet Black
5	2	EAFABARM286-0327	EA Lower Arm Cover
6	4	FASBL/9901	M6 x 8 Torx Flange Dome Screw

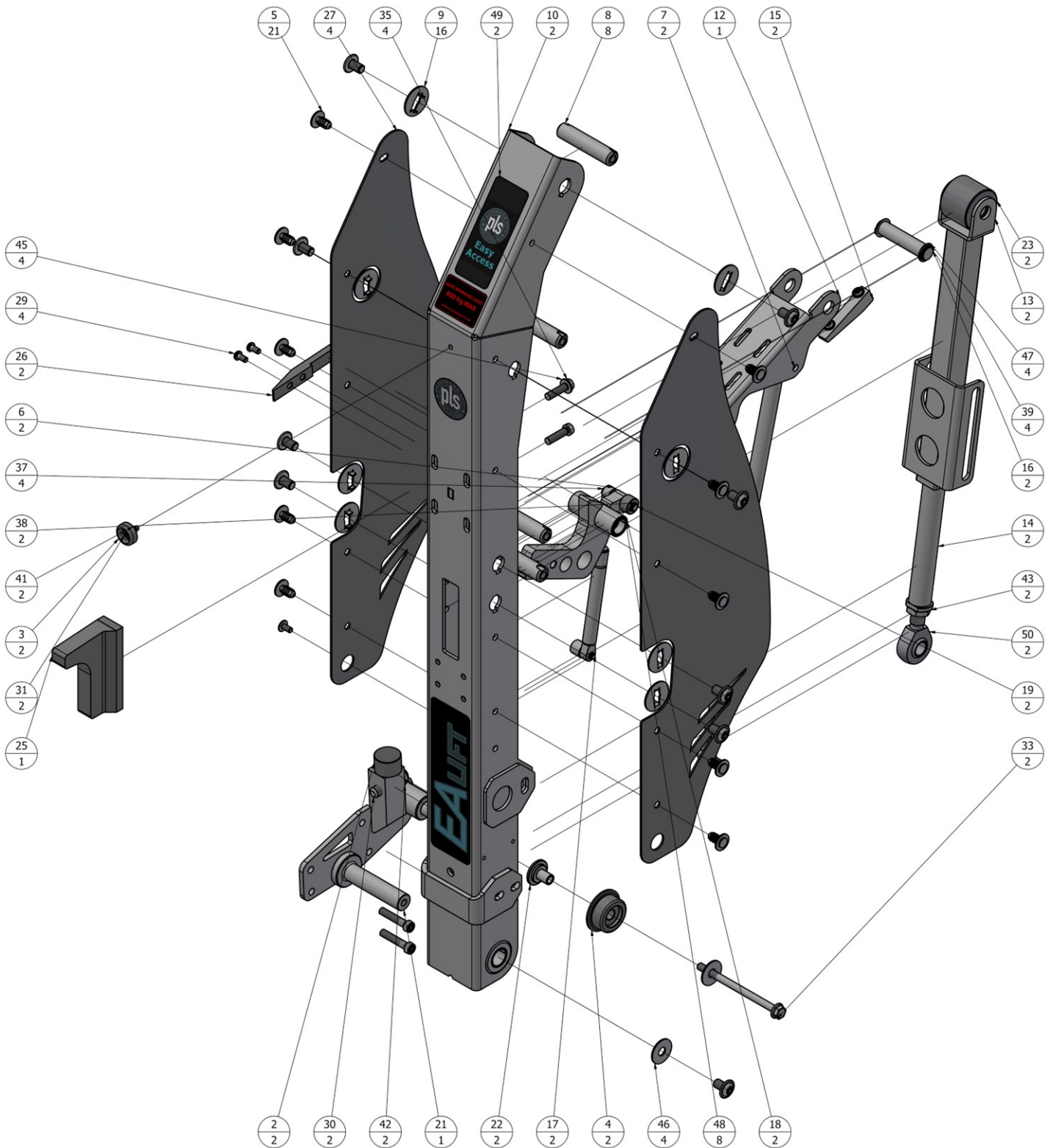
## PASSENGER LIFT SOLUTIONS

Unit 2, Summit Crescent Ind. Est. West Midlands, B66 1BT, GB. +44 (0) 121 552 0660



# PASSENGER LIFT SOLUTIONS

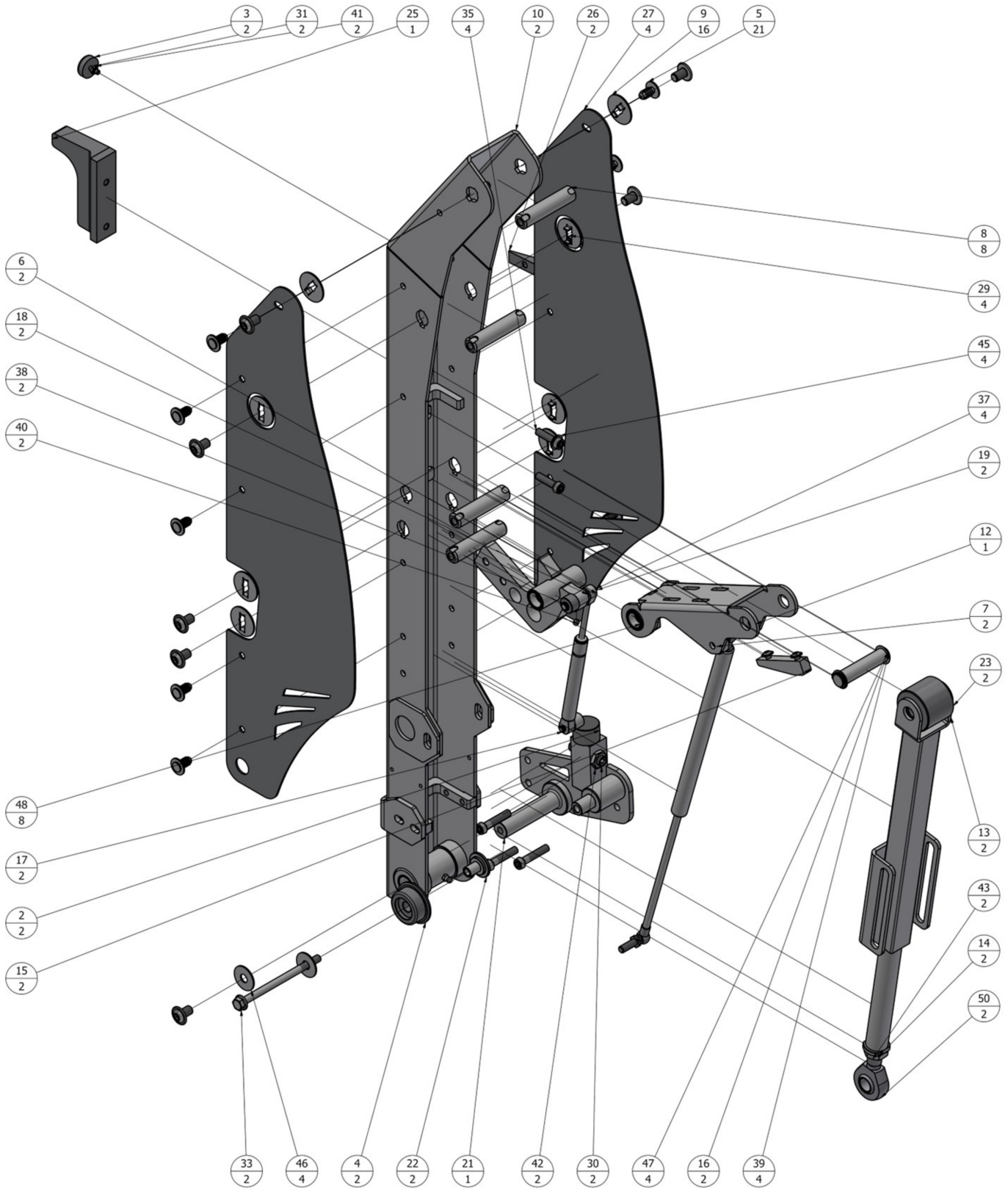
Unit 2, Summit Crescent Ind. Est. West Midlands, B66 1BT, GB. +44 (0) 121 552 0660



## PASSENGER LIFT SOLUTIONS

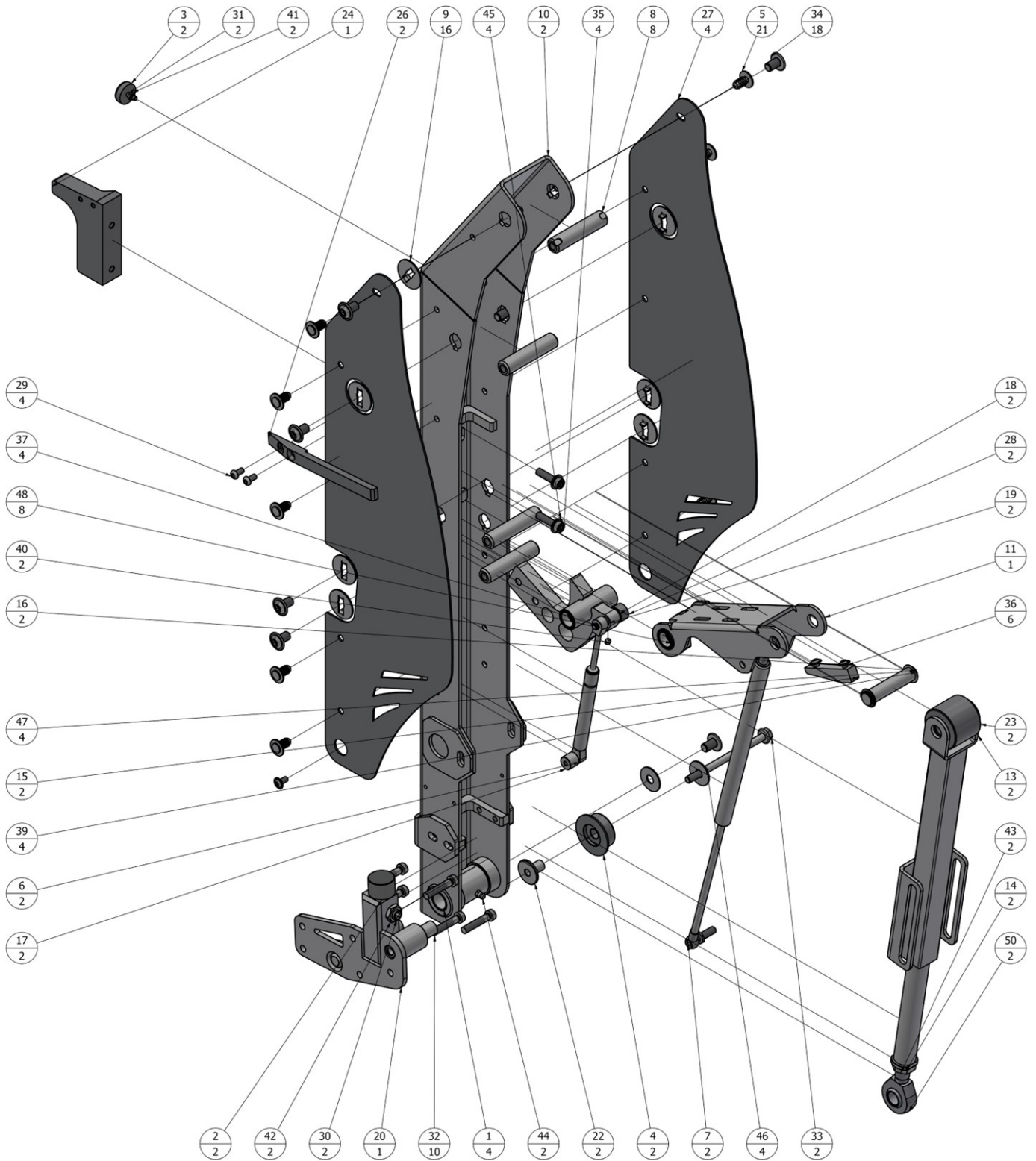
Unit 2, Summit Crescent Ind. Est. West Midlands, B66 1BT, GB. +44 (0) 121 552 0660





## PASSENGER LIFT SOLUTIONS

Unit 2, Summit Crescent Ind. Est. West Midlands, B66 1BT, GB. +44 (0) 121 552 0660



## PASSENGER LIFT SOLUTIONS

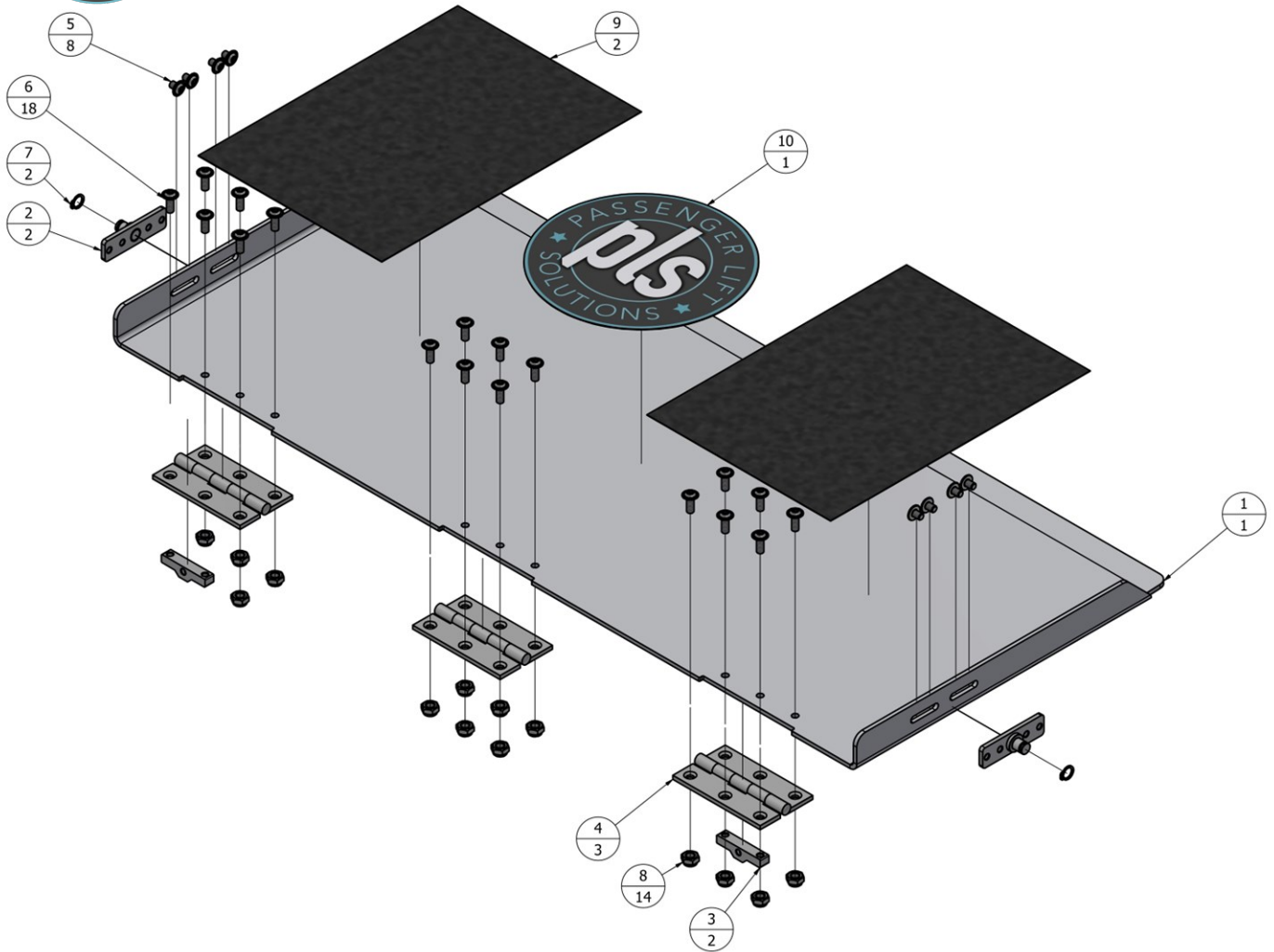
Unit 2, Summit Crescent Ind. Est. West Midlands, B66 1BT, GB. +44 (0) 121 552 0660



Reference	Quantity	Part Number	Description
1	4	ACC26362	Glacier Bush 20x23x25
2	2	ACC27027	Rubber Buffer
3	2	ACC27028	Rubber Stop Ø25 x 9
4	2	ACCPLAARM281-0310	ACC Arm Roller Guide
5	21	CONEC/0019	Push Fit Expanding Rivet
6	2	DSGASSPRWDS0100	Gas Spring
7	2	EA10004	EA BRP Gas Spring
8	8	EAFABARM286-0301	EA Arm Pin
9	16	EAFABARM286-0302	EA Anti Rotation Washer
10	2	EAFABARM286-0304	Front Arm
11	1	EAFABARM286-0305-LH	EA Upper Stow Lever LH
12	1	EAFABARM286-0305-RH	EA Upper Stow Lever RH
13	2	EAFABARM286-0306	Stow Outer Tube
14	2	EAFABARM286-0307	EA Lower Stow Pivot Tube
15	2	EAFABARM286-0309	EA Handrail Lever Guide
16	2	EAFABARM286-0311	EA Stow Lever Pin
17	2	EAFABARM286-0312	EA Arm Gas Spring Pin
18	2	EAFABHAN286-0702	EA Handrail Pivot Socket
19	2	EAFABHAN286-0704	EA HAN Bearing Pin
20	1	EAFABPLA286-0410-LH	Platform Pivot Plate LH
21	1	EAFABPLA286-0410-RH	Platform Pivot Plate RH
22	2	EAFABPLA286-0428	EA Platform Stow Roller Boss
23	2	EAPLAARM286-0308	EA Stow Roller
24	1	EAPLAARM286-0322-LH	EA Arm Stow Block LH
25	1	EAPLAARM286-0322-RH	EA Arm Stow Block RH
26	2	EAPLAARM286-0324	EA Rod Guide
27	4	EAPLAARM286-0325	EA Arm Guard Ally
28	2	EAPLAHAN286-0706	EA Handrail Roller
29	4	FASBL/0612	M6 x 12 Socket Head Dome
30	2	FASBL/9121	M12 x 50 mm Cup Point Grub Screw
31	2	FASBL/9501	M5 x 16 Socket Flange Head Set A2
32	10	FASBL/9905	M8 x 40 Torx Pan Head Screw
33	2	FASBL/9907	M8 x 120 CL100 HT HEX S/L Z/P
34	18	FASBL/9908	M10 x 16 Torx Flange Dome Screw
35	4	FASBL/9909	M8 x 30 Torx Pan Head Screw
36	6	FASBL/9912	M6 x 12 Torx Flange Dome Screw
37	4	FASCC/0601	M6 External Circlip
38	2	FASCC/0801	M8 External Circlip
39	4	FASCC/471	M16 External Circlip
40	2	FASGS/0605	M6 x 6mm Cup Point Grub Screw
41	2	FASNT/0501	M5 Nyloc Nut
42	2	FASNT/1203	M12 Half Nut
43	2	FASNT/1603	M16 Half Nut
44	2	FASOT/0501	M5 Grease Nipple
45	4	FASWA/0801	M8 Plain Washer Form A
46	4	FASWA/1004	M10 x 30 Repair Washer
47	4	FASWA/1604	M16 Shim Washer
48	8	GX-BRG-BSH-MB1810DU	Glacier Bush 20x18x10
49	2	LABEL/0015	EA LED Sticker
50	2	RODEND-1852492	M16 Male Rod End

## PASSENGER LIFT SOLUTIONS

Unit 2, Summit Crescent Ind. Est. West Midlands, B66 1BT, GB. +44 (0) 121 552 0660

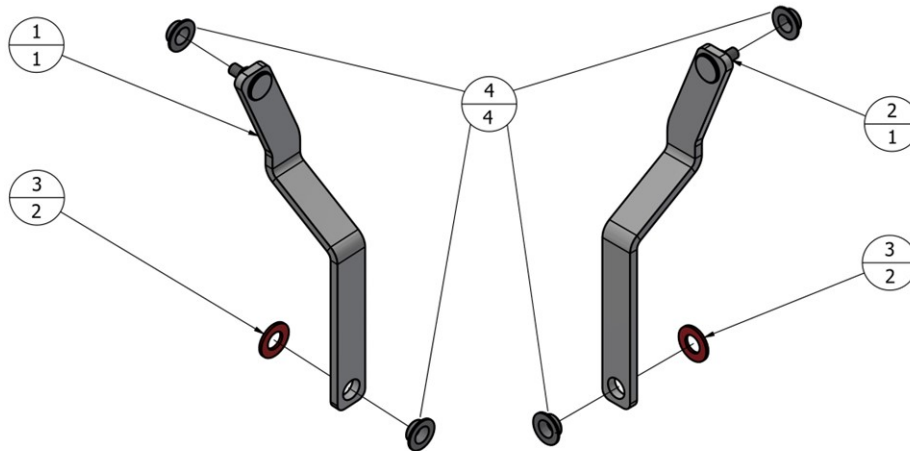


Reference	Quantity	Part Number	Description
1	1	Various	EA Bridge Plate
2	2	EAFABBRP286-0614	EA BRP BRKT Pivot
3	2	EAFABPLA286-0440	EA Torsion Bar MTG
4	3	EAFABPLAEA665	EA Platform Gate Hinge
5	8	FASBL/9901	M6 x 8 Torx Flange Dome Screw
6	18	FASBL/9911	M6 x 20 Torx Flange Dome Screw Black
7	2	FASCC/1001	M10 External Circlip
8	14	FASNT/0801	M8 Nyloc Nut
9	2	HASC/0004	EA Antislip BRP 210 x 297mm
10	1	HASCL/0003	EA4 Antislip With Logo 190mm

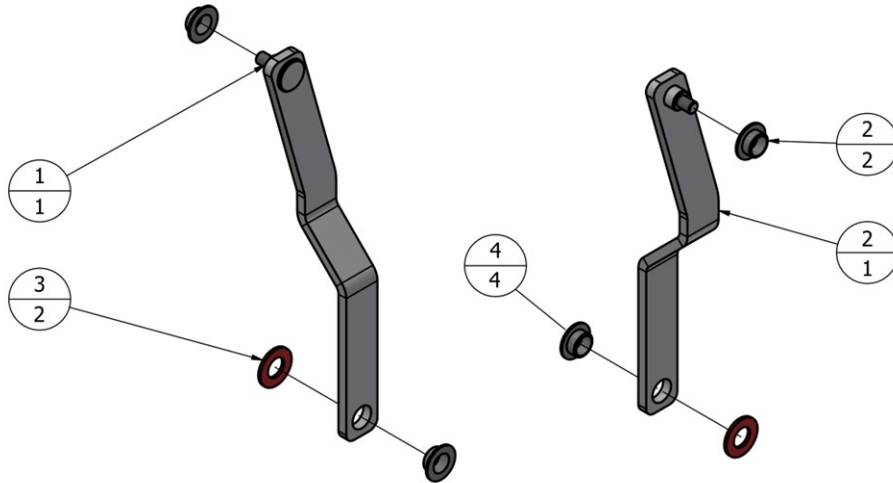
Reference	Part Number	Description
1	EAALYBRP286-0613-745	EA Bridge Plate 745
1	EAALYBRP286-0613-805	EA Bridge Plate 805/815
1	EAALYBRP286-0613-865	EA Bridge Plate 865/875
1	EAALYBRP286-0613-905	EA Bridge Plate 905/915

## PASSENGER LIFT SOLUTIONS

Unit 2, Summit Crescent Ind. Est. West Midlands, B66 1BT, GB. +44 (0) 121 552 0660



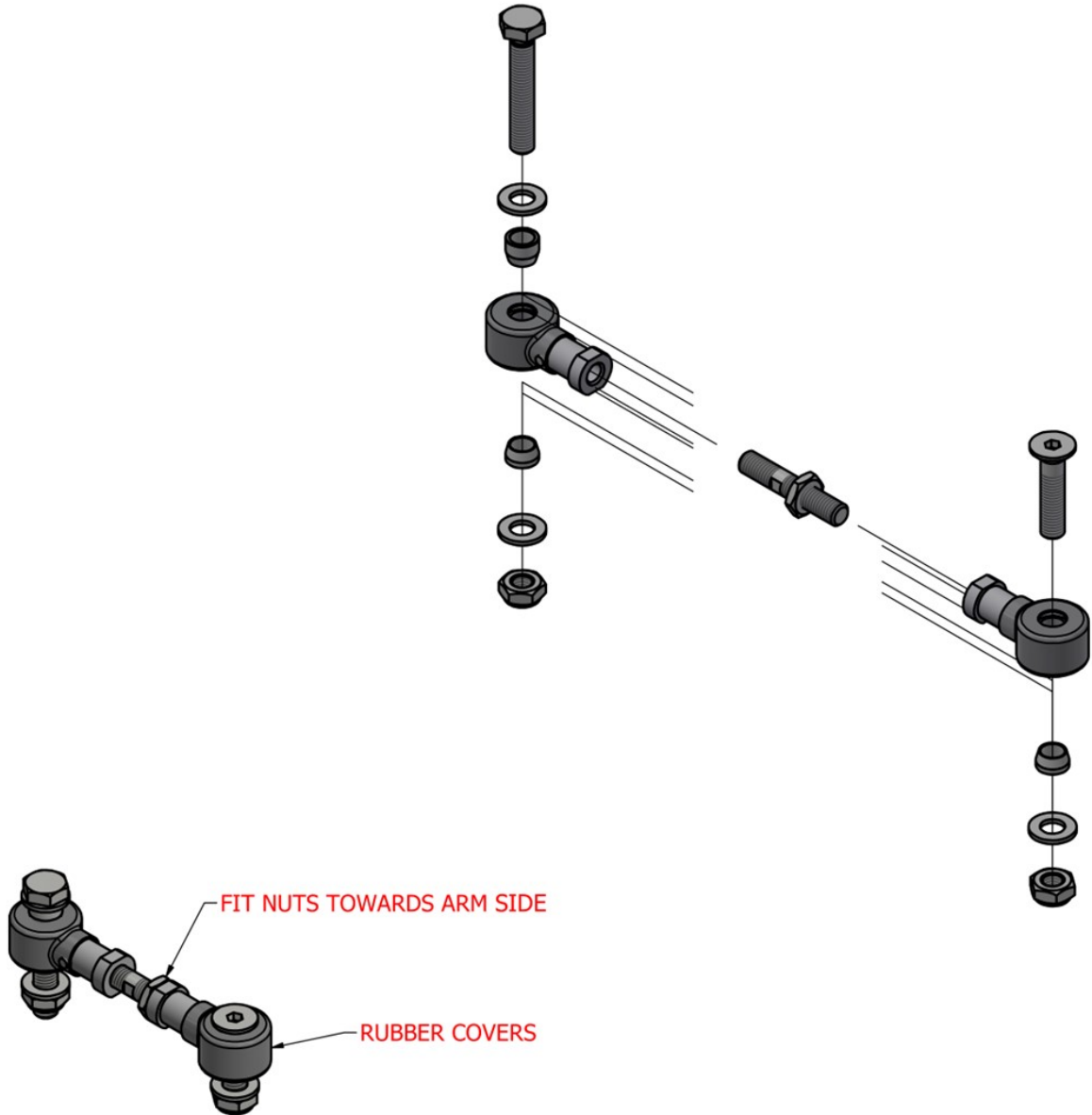
Reference	Quantity	Part Number	Description
1	1	EAFABBRP286-0610-LH	EA BRP Crank Lever V/S-LH
2	1	EAFABBRP286-0610-RH	EA BRP Crank Lever V/S-RH
3	4	EA286-7408	Plastic Bush
4	2	FASWA/9903	M10 x 1.5 Fibre Washer



Reference	Quantity	Part Number	Description
1	1	EAFABBRP286-0615-LH	EA BRP Crank Lever H-LH
2	1	EAFABBRP286-0615-RH	EA BRP Crank Lever H-RH
3	4	EA286-7408	Plastic Bush
4	2	FASWA/9903	M10 x 1.5 Fibre Washer

## PASSENGER LIFT SOLUTIONS

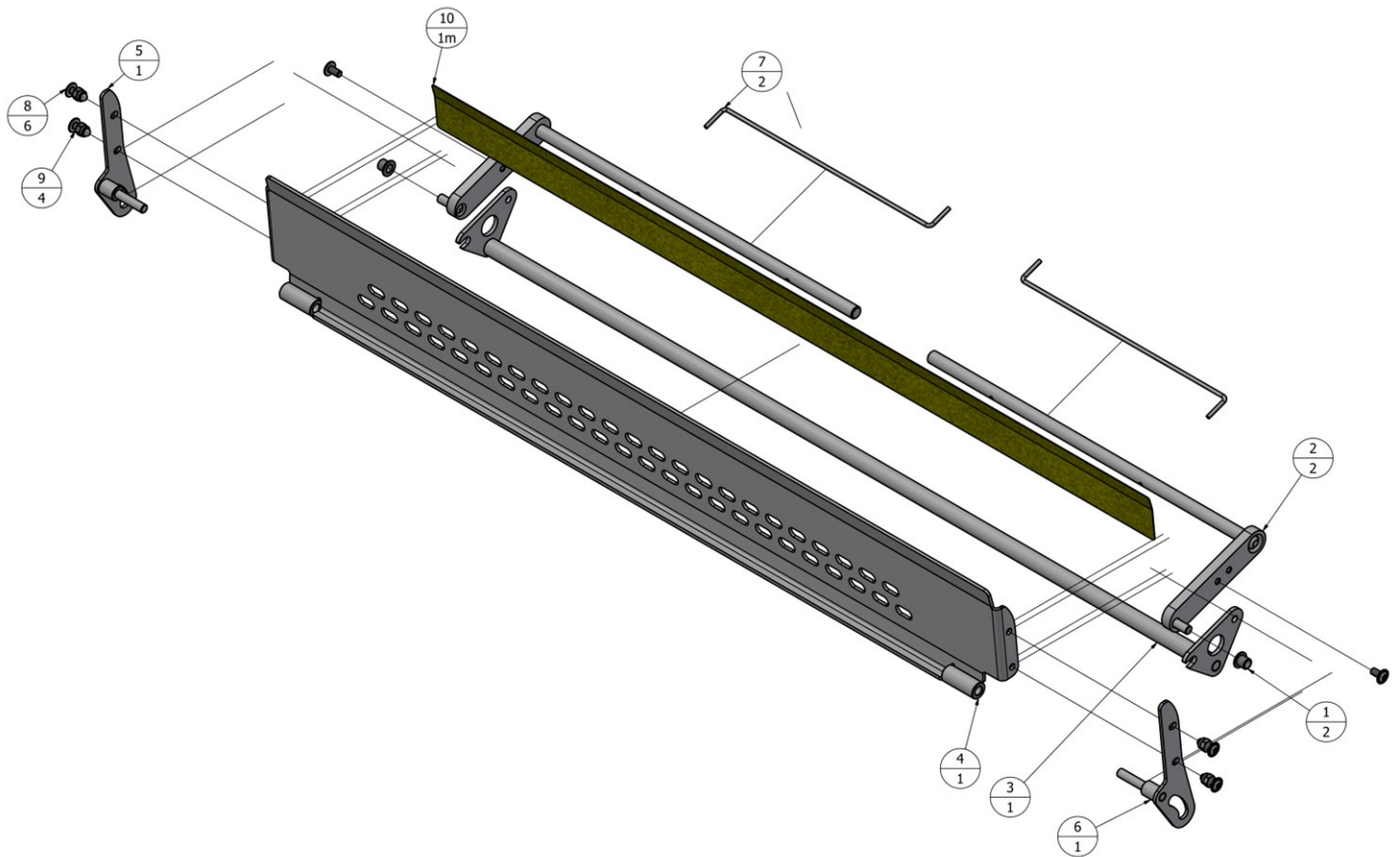
Unit 2, Summit Crescent Ind. Est. West Midlands, B66 1BT, GB. +44 (0) 121 552 0660



Reference	Quantity	Part Number	Description
	1	2 EAFABARMEA663	EA Knuckle Joint Assy

**PASSENGER LIFT SOLUTIONS**

Unit 2, Summit Crescent Ind. Est. West Midlands, B66 1BT, GB. +44 (0) 121 552 0660



Reference	Quantity	Part Number	Description
1	2	EA286-7406	Platic Bush
2	2	Various	Ramp Lever
3	1	Various	EA ROR Lever Bar
4	1	Various	EA ROR
5	1	EAFABROR286-0813-LH	EA ROR Hinge H LH
6	1	EAFABROR286-0813-RH	EA ROR Hinge H RH
7	2	EASPRROREA249-RH	EA ROR Torsion Spring
8	6	FASBL/9912	M6 x 12 Torx Flange Dome Screw
9	4	FASNT/2006	M6 Domed Cap Nut
10	1m	HASCL/0002	50mm Yellow Cleating Roll

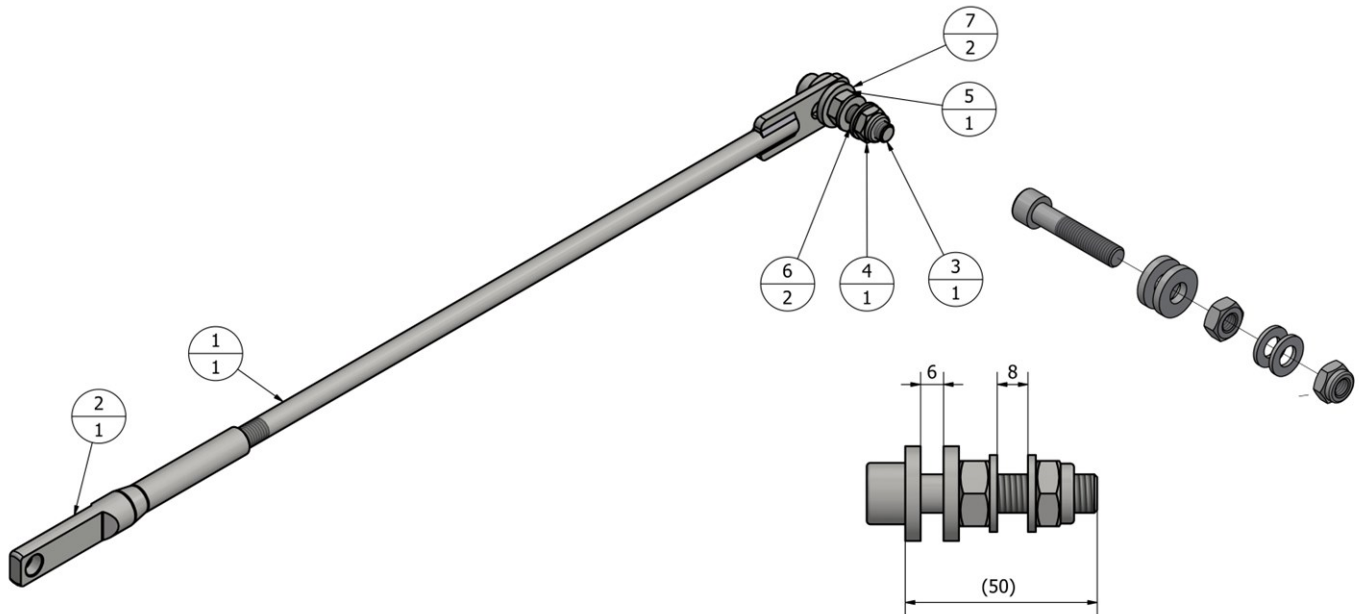
Reference	Part Number	Description
2	EAFABROR286-0803-815	Ramp Lever 805/865/905
2	EAFABROR286-0803-745	Ramp Lever 745

Reference	Part Number	Description
3	EAFABROR286-0809-H745	EA ROR Lever Bar H745
3	EAFABROR286-0809-H805	EA ROR Lever Bar H805
3	EAFABROR286-0809-H865	EA ROR Lever Bar H865
3	EAFABROR286-0809-H905	EA ROR Lever Bar H905

Reference	Part Number	Description
4	EAFABROR286-0809-H745	EA ROR H745
4	EAFABROR286-0809-H805	EA ROR H805
4	EAFABROR286-0809-H865	EA ROR H865
4	EAFABROR286-0809-H905	EA ROR H905

## PASSENGER LIFT SOLUTIONS

Unit 2, Summit Crescent Ind. Est. West Midlands, B66 1BT, GB. +44 (0) 121 552 0660



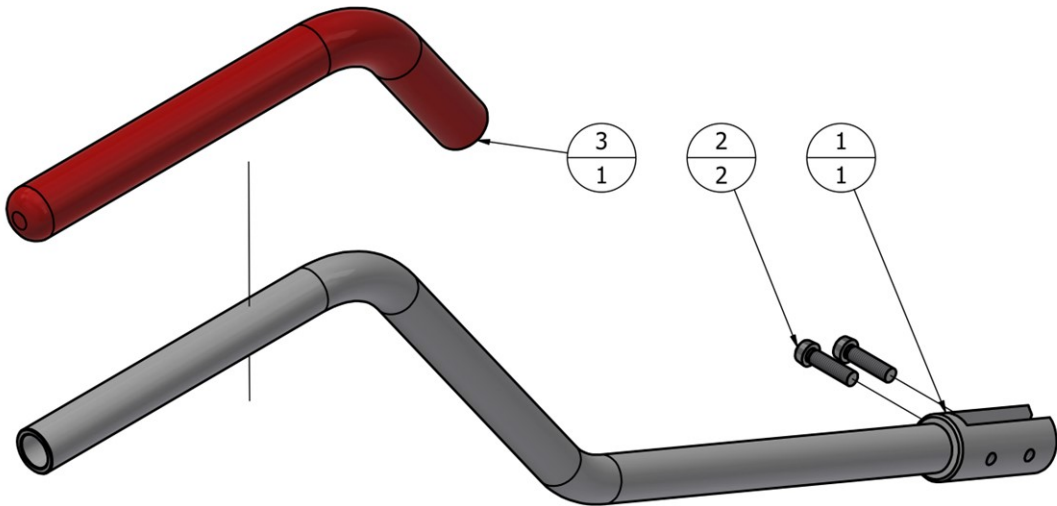
Reference	Quantity	Part Number	Description
1	1	Various	EA Tie Rod Bar
2	1	EAFABARM286-0326	EA Rod Adjuster
3	1	FASBL/1041	M10 x 50 Socket Head Cap Screw
4	1	FASNT/1001	M10 Nyloc Nut
5	1	FASNT/1005	M10 Full Nut
6	2	FASWA/1001	M10 Plain Washer Form A
7	2	FASWA/1007	M10 Plain Washer 25 OD 4 THK

Reference	Part Number	Description
1	EAFABARM286-0319-1310	EA Tie Rod Bar H1310
1	EAFABARM286-0319-1510	EA Tie Rod Bar H1510
1	EAFABARM286-0319-1610	EA Tie Rod Bar H1610

## PASSENGER LIFT SOLUTIONS

Unit 2, Summit Crescent Ind. Est. West Midlands, B66 1BT, GB. +44 (0) 121 552 0660

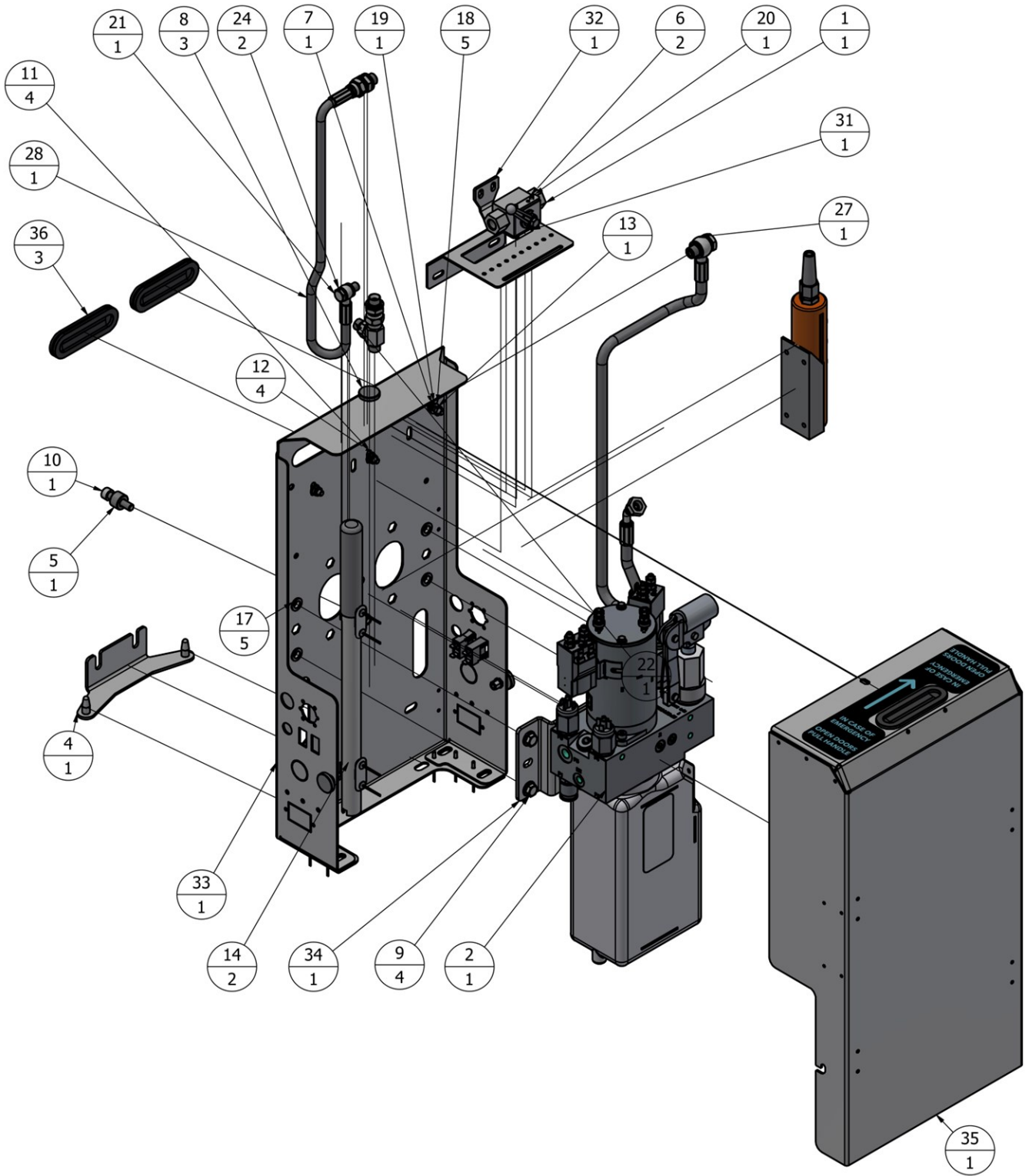




Reference	Quantity	Part Number	Description
1	1	EAFABHAN286-0701	EA Handrail Standard
2	2	FASBL/9909	M8 x 30 Torx Pan Head Screw
3	1	EAPLAARM286-0705-R	EA Handrail Sleeve Red

**PASSENGER LIFT SOLUTIONS**

Unit 2, Summit Crescent Ind. Est. West Midlands, B66 1BT, GB. +44 (0) 121 552 0660



# PASSENGER LIFT SOLUTIONS

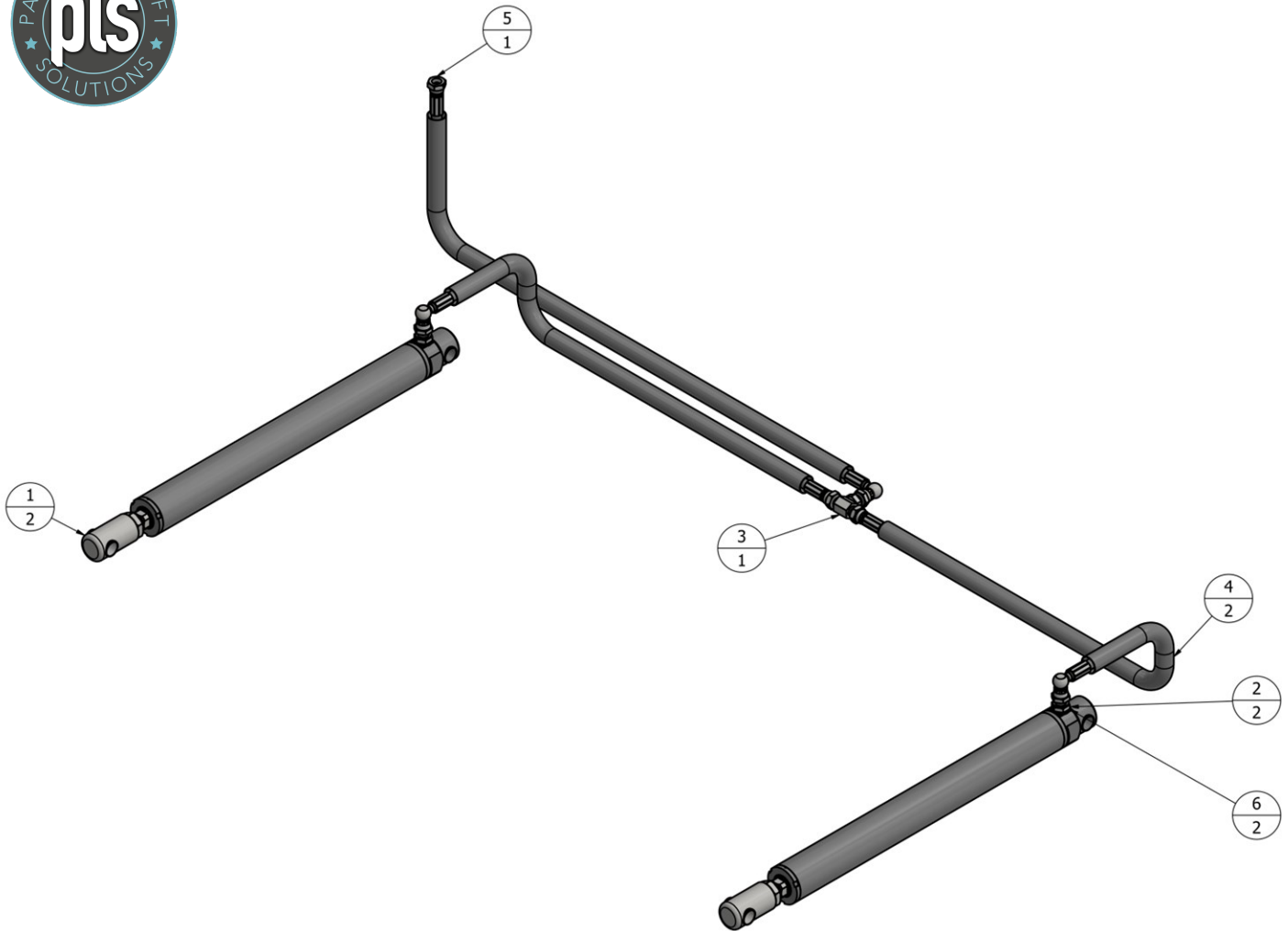
Unit 2, Summit Crescent Ind. Est. West Midlands, B66 1BT, GB. +44 (0) 121 552 0660



Reference	Quantity	Part Number	Description
1	1	ACCHYDFITBALVALVE-1/4	1/4 BSP, 2 Way Ball Valve
2	1	ACCHYDPMPZAN-PLS002012	Universal Power Pack 12V
3	1	EAELEPMP64-010	EA Universal Pump Harness
4	1	EAFABBAS695	Pump Mounting Bracket
5	1	EAPLAPMPEA697	EA Pump Box Spacer
6	2	FASBL/0409	M4 x 40 Socket Head Cap Screw
7	1	FASBL/0624	M6 x 20 Socket Flange Dome Head A2
8	3	FASBL/0665	M6 x 12 Knurled Thumbscrew
9	4	FASBL/0804	M8 x 16 CL 100 HT HEX S/L Z/P
10	1	FASBL/0810	M8 x 35 Socket Capscrew
11	4	FASBL/9603	M6 x 16 Socket Flange Dome Head A2
12	4	FASNT/0601	M6 Nylock Nut
13	1	FASNT/0602	M6 Half Nut
14	2	FASOT/0009	3/4" Metal Tool Clip 82075 Black
15	4	FASRV/0008-BLK	3.2 x 12 Large Flange Head Rivet Black
16	3	FASRV/0016	Hex Rivnut M6
17	5	FASRV/0017	Hex Rivnut M8
18	5	FASWA/0601	M6 Plain Washer Form A
19	1	FASWA/0603	M6 Internal Star Washer
20	1	GNXAFABBOX60039	GNXA Box Lock Tapping Plate
21	1	GXHYDFITBAN1600-00-0	1/8 BSP Banjo Bolt
22	1	HYDFT/0003	1/4 BSP Tee MFM
23	1	HYDFT/0004	1/4 BSP Male Male Straight
24	2	HYDFT/0008	1/8 BSP Dowty Seal (Bonded Washer)
25	1	HYDFT/0009	1/4 BSP Banjo Bolt
26	1	HYDFT/0015	1/4 BSP Male Male 1mm Restrictor
27	1	HYDHOS286-4001	EA Override Pressure Hose
28	1	HYDHOS286-4002	EA Override Tank Hose
29	4	HYDWA/0001	1/4 BSP Dowty Seal (Bonded Washer)
30	1	LABEL/0046	EA4 Override Sticker
31	1	PMPALYPBOX9017	PMP Wago BRKT
32	1	PMPFABBRK9022	EA Valve BRKT
33	1	PMPFABPBOX9002	PMP Internal PBOX
34	1	PMPFABPBOX9007	PBOX Support Plate
35	1	PMPFABPCOV9004	PMP INT Pump Cover Standard
36	3	S150014	Oval Grommet

## PASSENGER LIFT SOLUTIONS

Unit 2, Summit Crescent Ind. Est. West Midlands, B66 1BT, GB. +44 (0) 121 552 0660



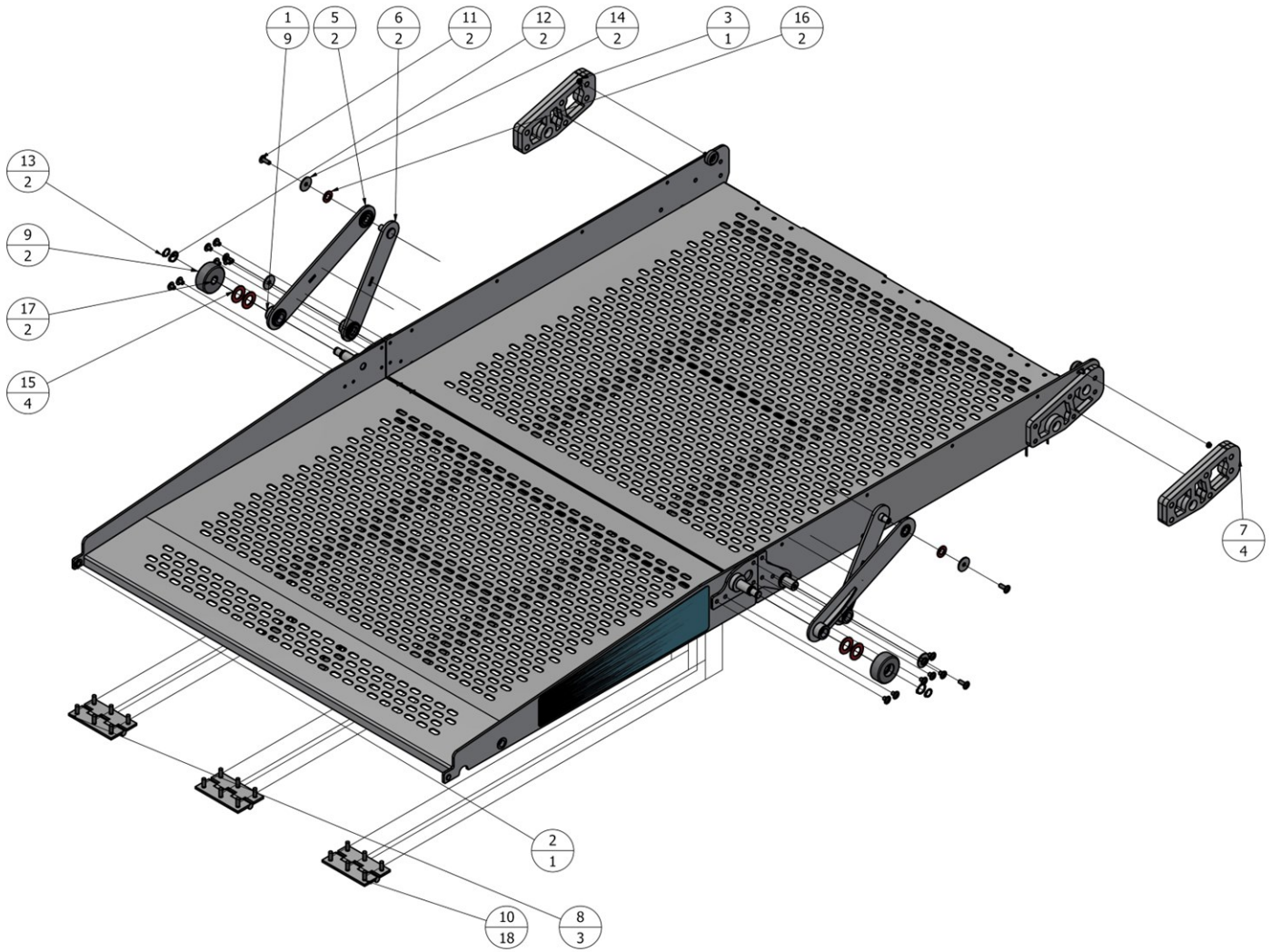
Reference	Quantity	Part Number	Description
1	2	ACCHYDCYLF036	EA4 Cylinder
2	2	HYDFT/0004	1/4 BSP Male Male Straight
3	1	HYDFT/0006	1/4 BSP Tee MMM
4	2	Various	EA Cylinder Hose (Platform Width)
5	1	Various	EA Pump Hose (Platform Width)
6	2	HYDWA/0001	1/4 BSP Dowty Seal (Bonded Washer)

Reference	Part Number	Description
4	HYDHOS286-4003-B	EA Cylinder Hose B (815w)
4	HYDHOS286-4003-C	EA Cylinder Hose C (875w/915w)
4	HYDHOS286-4003-D	EA Cylinder Hose D (745w)

Reference	Part Number	Description
5	HYDHOS286-4004-B	EA Pump Hose B (815w)
5	HYDHOS286-4004-C	EA Pump Hose C (875w/915w)
5	HYDHOS286-4004-D	EA Pump Hose D (745w)

## PASSENGER LIFT SOLUTIONS

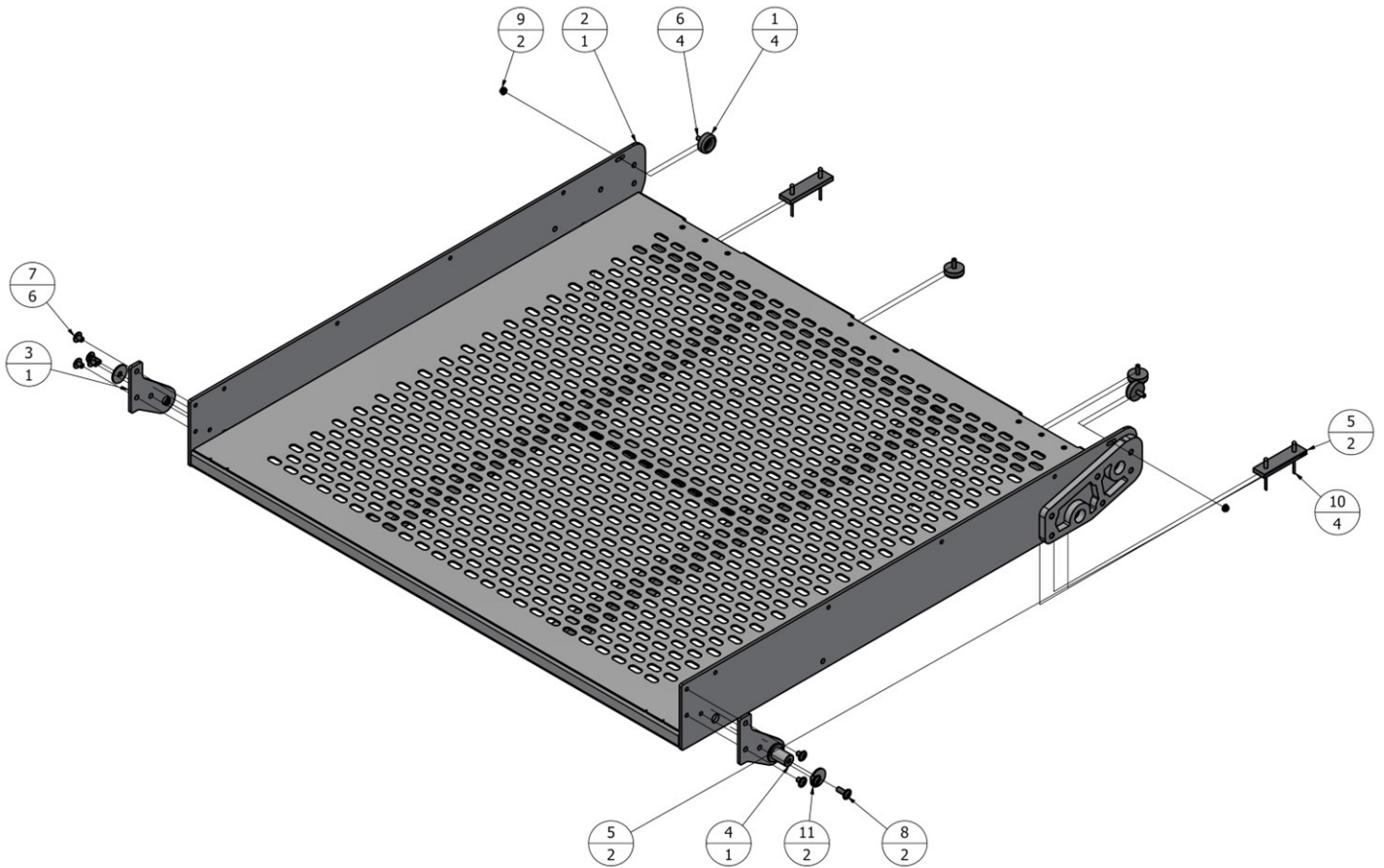
Unit 2, Summit Crescent Ind. Est. West Midlands, B66 1BT, GB. +44 (0) 121 552 0660



Reference	Quantity	Part Number	Description	Reference	Quantity	Part Number	Description
1	9	ACC28672	Plastic Bush	10	18	FASBL/0634	M6 x 20 Torx Head CSK A2
2	1	Various	EA Platform H Front Assy	11	2	FASBL/9902	M6 x 16 Torx Flange Dome Screw
3	1	Various	EA Platform H Rear Assy	12	2	FASCC/471	M16 External Circlip
4	2	EA286-7408	Plastic Bush	13	2	FASCC/1201	M12 External Circlip
5	2	EAFABPLA286-0431	EA PLA Lever BRKT	14	2	FASWA/0605	M6 x 25 Mud Guard Washer
6	2	EAFABPLA286-0434	EA PLA Tie BRKT	15	4	FASWA/9902	M16 x 1.5 Fibre Washer
7	4	EAFABPLA286-0437	EA Pivot Spacer Plate	16	2	FASWA/9903	M10 x 1.5 Fibre Washer
8	3	EAFABPLAEA665	EA Platform Gate Hinge	17	2	FLA35125	Glacier Bush 12 x14 x12
9	2	EQSPLAARM130241	EQ Arm Roller				

## PASSENGER LIFT SOLUTIONS

Unit 2, Summit Crescent Ind. Est. West Midlands, B66 1BT, GB. +44 (0) 121 552 0660

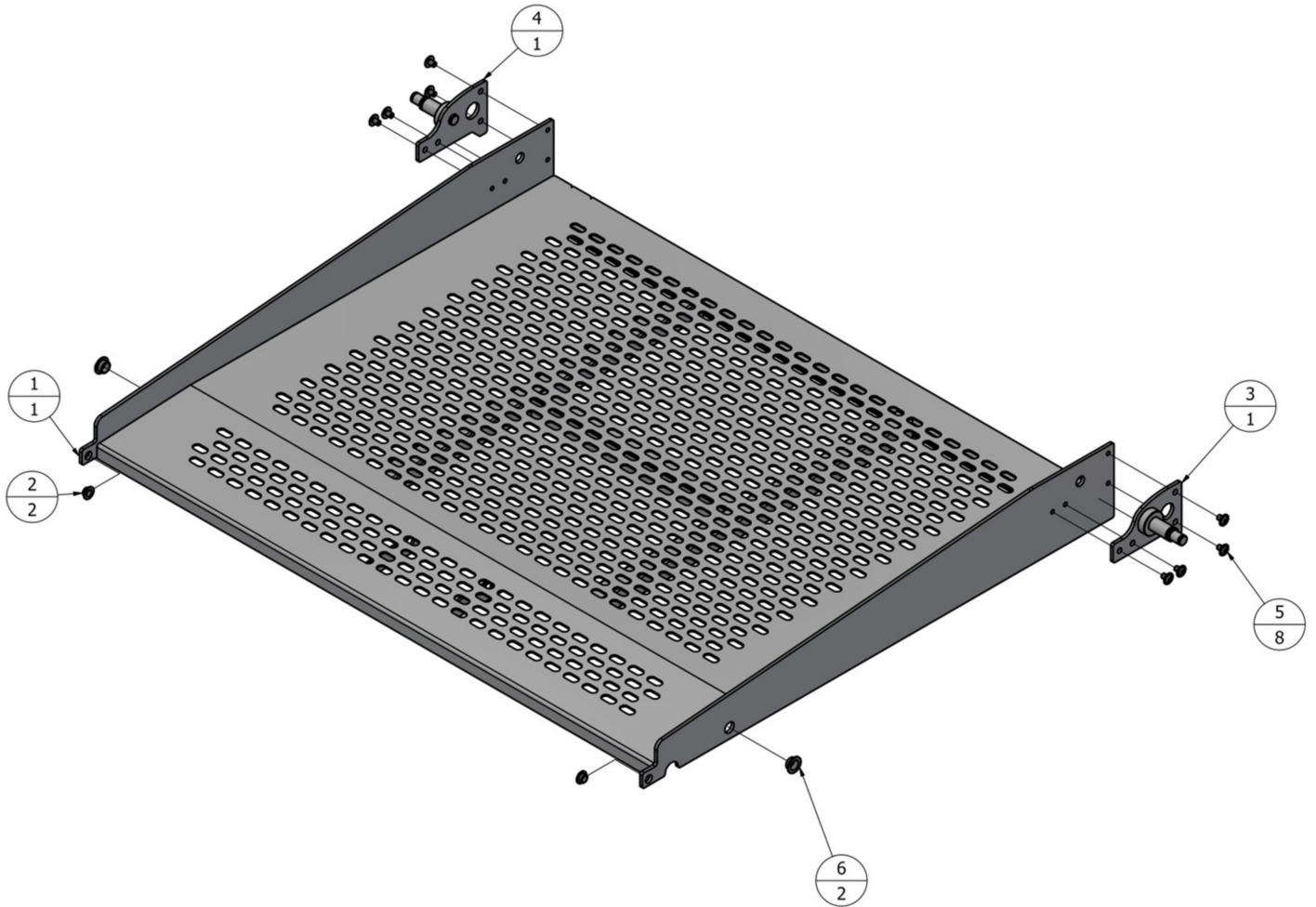


Reference	Quantity	Part Number	Description
1	4	ACC27028	Rubber Stop Ø25 x 9
2	1	Various	EA Rear Platform HF
3	1	EAFABPLA286-0444-LH	EA Rear Stop BRKT LH
4	1	EAFABPLA286-0444-RH	EA Rear Stop BRKT RH
5	2	EAPLAPLA286-0439	EA Platform Slide
6	4	FASBL/9501	M5 x 16 Socket Flange Head Set A2
7	6	FASBL/9901	M6 x 8 Torx Flange Dome Screw
8	2	FASBL/9902	M6 x 16 Torx Flange Dome Screw
9	2	FASNT/0501	M5 Nyloc Nut
10	4	FASRV/0003	4.8 x 16 CSK Head Rivet
11	2	FASWA/0605	M6 x 25 Mud Guard Washer

Reference	Part Number	Description
2	EAFABPLA286-0441-1310-745	EA Rear Platform HF 1310 745
2	EAFABPLA286-0441-1310-905	EA Rear Platform HF 1310 905
2	EAFABPLA286-0432-1510-805	EA Rear Platform HF 1510 805
2	EAFABPLA286-0432-1510-865	EA Rear Platform HF 1510 865
2	EAFABPLA286-0432-1510-905	EA Rear Platform HF 1510 905
2	EAFABPLA286-0449-1610-905	EA Rear Platform HF 1610 905

## PASSENGER LIFT SOLUTIONS

Unit 2, Summit Crescent Ind. Est. West Midlands, B66 1BT, GB. +44 (0) 121 552 0660



Reference	Quantity	Part Number	Description
1	1	Various	EA Front Platform HF
2	2	EA286-7407	Plastic Bush
3	1	EAFABPLA286-0443-RH	EA Front Stop BRKT RH
4	1	EAFABPLA286-0443-LH	EA Front Stop BRKT LH
5	8	FASBL/9901	M6 x 8 Torx Flange Dome Screw
6	2	EA286-7408	Plastic Bush

Reference	Part Number	Description
1	EAFABPLA286-0442-1310-745	EA Front Platform HF 1310 745
1	EAFABPLA286-0442-1310-905	EA Front Platform HF 1310 905
1	EAFABPLA286-0433-1510-805	EA Front Platform HF 1510 805
1	EAFABPLA286-0433-1510-865	EA Front Platform HF 1510 865
1	EAFABPLA286-0433-1510-905	EA Front Platform HF 1510 905
1	EAFABPLA286-0448-1610-905	EA Front Platform HF 1610 905

## PASSENGER LIFT SOLUTIONS

Unit 2, Summit Crescent Ind. Est. West Midlands, B66 1BT, GB. +44 (0) 121 552 0660

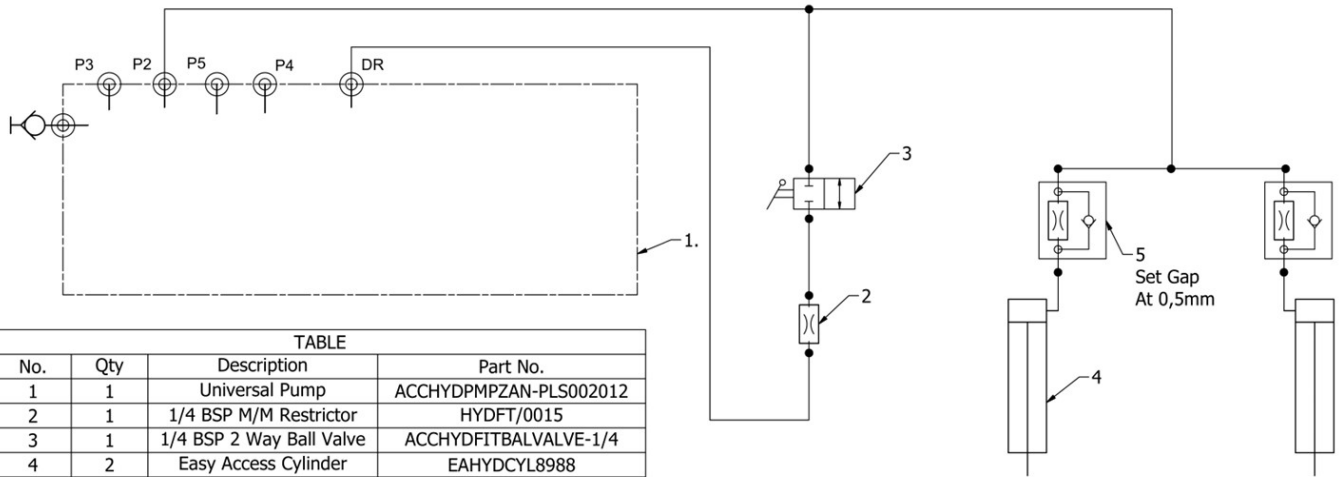


TABLE			
No.	Qty	Description	Part No.
1	1	Universal Pump	ACCHYDPMPZAN-PLS002012
2	1	1/4 BSP M/M Restrictor	HYDFT/0015
3	1	1/4 BSP 2 Way Ball Valve	ACCHYDFITBALVALVE-1/4
4	2	Easy Access Cylinder	EAHYDCYL8988
5	2	Burst Valve	ACC25569

## PASSENGER LIFT SOLUTIONS

Unit 2, Summit Crescent Ind. Est. West Midlands, B66 1BT, GB. +44 (0) 121 552 0660

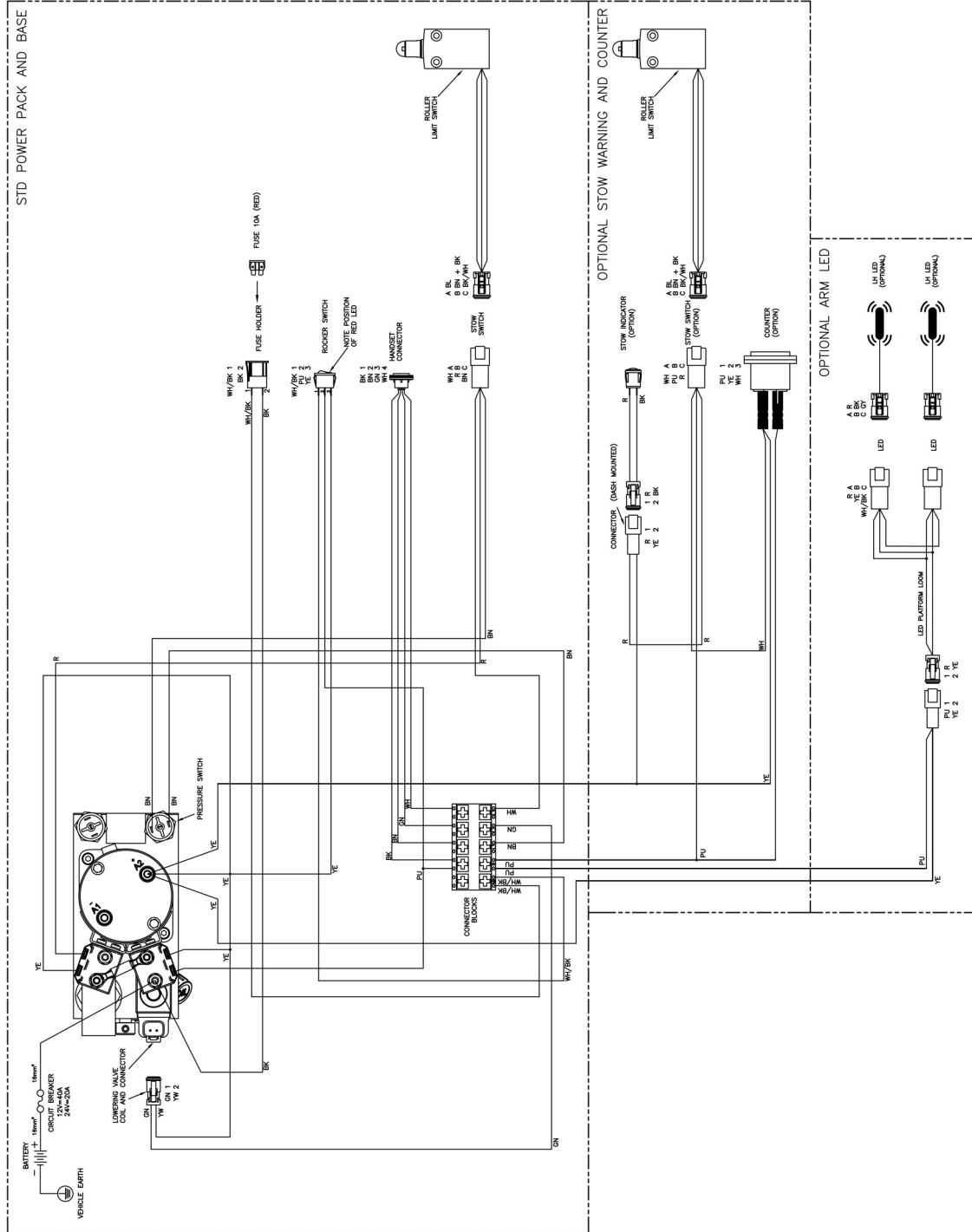




BK1 (PUSHING)  
BK2 (UP)  
BK3 (DOWN)  
YE4 (STOP)



3 BUTTON HANDSET



# PASSENGER LIFT SOLUTIONS

Unit 2, Summit Crescent Ind. Est. West Midlands, B66 1BT, GB. +44 (0) 121 552 0660