



# EA4

## Elevating the Standard for Inboard Lifts



WAV



Minibus



Medical



Taxi



Cargo



- Lightweight to improve fuel economy
- Quick and easy to install on any vehicle
- Easy to use even for novice users
- Safe, smooth, and quiet operation
- 'Silent Stow' design for a quiet drive
- Modular and upgradeable

- Platform Length: 1300 - 1610mm
- Platform Width: 745 - 915mm
- Platform Style: Solid, Split, Folding
- Safe Working Load: 400 - 500kg
- Rear and side door versions
- Wide range of options to customise
- 3-Year no fuss warranty



### One-Piece Platform

A reliable and robust design to maximise seating or load space.



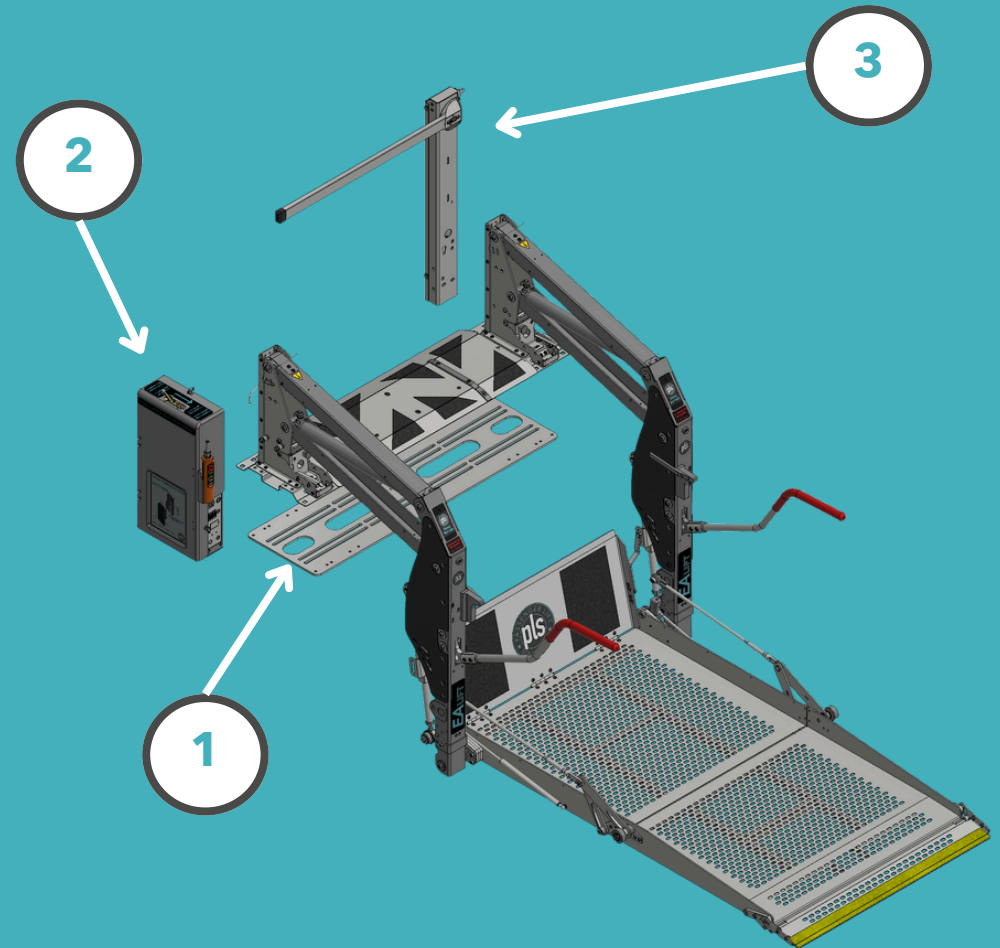
### Horizontal Folding Platform

Compact when stowed, full-size platform when deployed.



### Vertical Split Platform

Automatically splits open when stowed for maximum convenience.



**1** **Interface plate** allows easy installation on a wide range of vehicles and floor types.

**2** **Flexible Power Pack** can be moved from left to right hand side within minutes.

**3** **DoorSafe Barrier Arm** easily bolts to the lift as an added safety feature.

# EA4 Range

● Standard    ○ Optional Extra    ∅ Not Available

Platform Length (mm)	Platform Width (mm)	Platform Type	400kg SWL	500kg SWL (Bariatric upgrade)	Fitting Kit	3-Year Warranty	Raised Floor Fitting Kit	Enhanced Floor Plate (for composite floors)	Battery Cable (16mm x 7m inc. terminals)	Straight Handrails in Standard Colour (Red or Yellow)	Loop Handrails in Standard Colour (Red or Yellow)	Handrails in Custom Colour	Door Mount Handset Socket (Handset extension loom)	Pump Mounted Power Switch	Stow Signal Switch (provides signal to vehicle when lift stowed)	Lift Cycle Counter	Warning Sounder (mounted to pump)	Extended Height Platform Side Guards	Remote Control Upgrade (Receiver + 2 controllers)	LEDs - Outer Arms	ECO Regen Power Pack (~80% lower power consumption and energy recovery)	DoorSafe - for EA Lift	Delivery	PLS Approved Installation
1300	815	Solid	●	○	●	●	○	○	○	●	○	○	○	○	○	○	○	○	○	○	○	○	○	○
1300	915	Solid	●	○	●	●	○	○	○	●	○	○	○	○	○	○	○	○	○	○	○	○	○	○
1450	815	Solid	●	○	●	●	○	○	○	●	○	○	○	○	○	○	○	○	○	○	○	○	○	○
1450	915	Solid	●	○	●	●	○	○	○	●	○	○	○	○	○	○	○	○	○	○	○	○	○	○
1600	915	Solid	●	○	●	●	○	○	○	●	○	○	○	○	○	○	○	○	○	○	○	○	○	○
1300	815	Vertical Split	●	○	●	●	○	○	○	●	○	○	○	○	○	○	○	○	○	○	○	○	○	○
1300	915	Vertical Split	●	○	●	●	○	○	○	●	○	○	○	○	○	○	○	○	○	○	○	○	○	○
1450	815	Vertical Split	●	○	●	●	○	○	○	●	○	○	○	○	○	○	○	○	○	○	○	○	○	○
1450	915	Vertical Split	●	○	●	●	○	○	○	●	○	○	○	○	○	○	○	○	○	○	○	○	○	○
1480	815	Vertical Split	●	○	●	●	○	○	○	●	○	○	○	○	○	○	○	○	○	○	○	○	○	○
1480	915	Vertical Split	●	○	●	●	○	○	○	●	○	○	○	○	○	○	○	○	○	○	○	○	○	○
1600	815	Vertical Split	●	○	●	●	○	○	○	●	○	○	○	○	○	○	○	○	○	○	○	○	○	○
1600	915	Vertical Split	●	○	●	●	○	○	○	●	○	○	○	○	○	○	○	○	○	○	○	○	○	○
1310	745	Horizontal Fold	●	○	●	●	○	○	○	●	○	○	○	○	○	○	○	○	○	○	○	○	○	○
1310	905	Horizontal Fold	●	○	●	●	○	○	○	●	○	○	○	○	○	○	○	○	○	○	○	○	○	○
1510	805	Horizontal Fold	●	○	●	●	○	○	○	●	○	○	○	○	○	○	○	○	○	○	○	○	○	○
1510	865	Horizontal Fold	●	○	●	●	○	○	○	●	○	○	○	○	○	○	○	○	○	○	○	○	○	○
1510	905	Horizontal Fold	●	○	●	●	○	○	○	●	○	○	○	○	○	○	○	○	○	○	○	○	○	○
1610	905	Horizontal Fold	●	○	●	●	○	○	○	●	○	○	○	○	○	○	○	○	○	○	○	○	○	○

Need a size not shown here? Get in touch and we can discuss your needs.

# EA Lift Options



**500kg SWL** gives your lift an extra 100kg of safe working load for extreme use cases.

**Cycle Counter** keeps track of operational cycles of your lift.



**Warning Sounder** provides an audible warning whenever the lift is in operation, with an adjustable volume to suit your needs.

**LED Hazard Lights** can provide increased visibility of your lift for other road users when operating in hours of darkness.



**Wireless Handset** allows for wireless control of the lift. Supplied in pre-programmed pairs.

**Easy Manual Release Handle** provides quick and easy access to deploy the lift in an emergency.



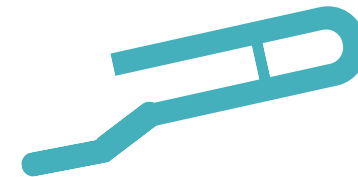
**Multiple handrail styles** to suit specific user preferences.



**Z-Handrail**



**Elbow Handrail**



**Loop Handrail**

**Custom handrail grip colours** available



## Warranty and Support

Every EA4 benefits from a 37 month no fuss warranty within the UK and a 24 month parts-only warranty outside the UK.

# Space Envelope

To help understand which version of EA4 will best suit your needs, you can check the space required both inside the rear of your vehicle and through the rear doors

Platform Length (mm)	Platform Width (mm)	Platform Type	Min. internal width inc. powerpack (mm)	Min. internal height (mm)	Min. internal depth (mm)	Min. door aperture width (mm) <small>See note 1 + 2</small>	Min. door aperture height (mm)
1300	815	Solid	1230	1420	465	1045	1420
1300	915	Solid	1330	1420	465	1145	1420
1450	815	Solid	1230	1620	465	1045	1620
1450	915	Solid	1330	1620	465	1145	1620
1600	915	Solid	1330	1720	465	1045	1720
1300	815	Vertical Split	1230	1435	505	1045	1435
1300	915	Vertical Split	1330	1435	555	1145	1435
1450	815	Vertical Split	1230	1585	505	1045	1585
1450	915	Vertical Split	1330	1585	555	1145	1585
1480	815	Vertical Split	1230	1635	505	1045	1635
1480	915	Vertical Split	1330	1635	555	1145	1635
1600	815	Vertical Split	1230	1735	505	1045	1735
1600	915	Vertical Split	1330	1735	555	1145	1735
1310	745	Horizontal Fold	1190	1225	455	1040	1225
1310	905	Horizontal Fold	1350	1225	455	1185	1225
1510	805	Horizontal Fold	1250	1225	455	1085	1225
1510	865	Horizontal Fold	1330	1225	455	1145	1225
1510	905	Horizontal Fold	1350	1225	455	1185	1225
1610	905	Horizontal Fold	1350	1225	455	1185	1225

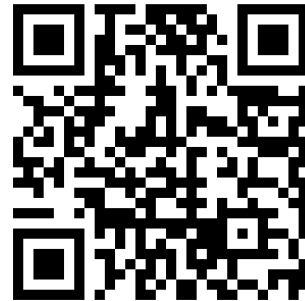
## Notes

1. Door aperture is the width required for the moving element of the lift. Fixed items such as powerpacks are not part of this measurement.
2. When selecting Loop Handrail option, add 80mm to minimum door aperture width

Please be conscious of the impact the inboard lift may have on seat and wheelchair spaces

If you have a space limitation, please contact us. We can work with you to find a solution to any space restrictions your vehicle has.

Scan the code below to visit our website and find out  
more about **EA4**



For more information on the **EA4** or any other PLS product get in touch today:

[sales@passengerliftsolutions.com](mailto:sales@passengerliftsolutions.com)  
+44 (0) 121 552 0660 (Option 3)

The information in this brochure is subject to change from time-to-time. To confirm any information please contact our team and we'll be happy to confirm the latest information.